

Data subject to change without prior notice
Edition 10/2022 © 2022 JMG Cranes S.p.A. All rights reserved
Rev.2 - 10/22

JMG Cranes S.p.A.

Sales & Service Office

Via Bergamo, 142

26100 Cremona - Italy

t +39 0372 1786738

Production Plant

Via Zuccherificio 2

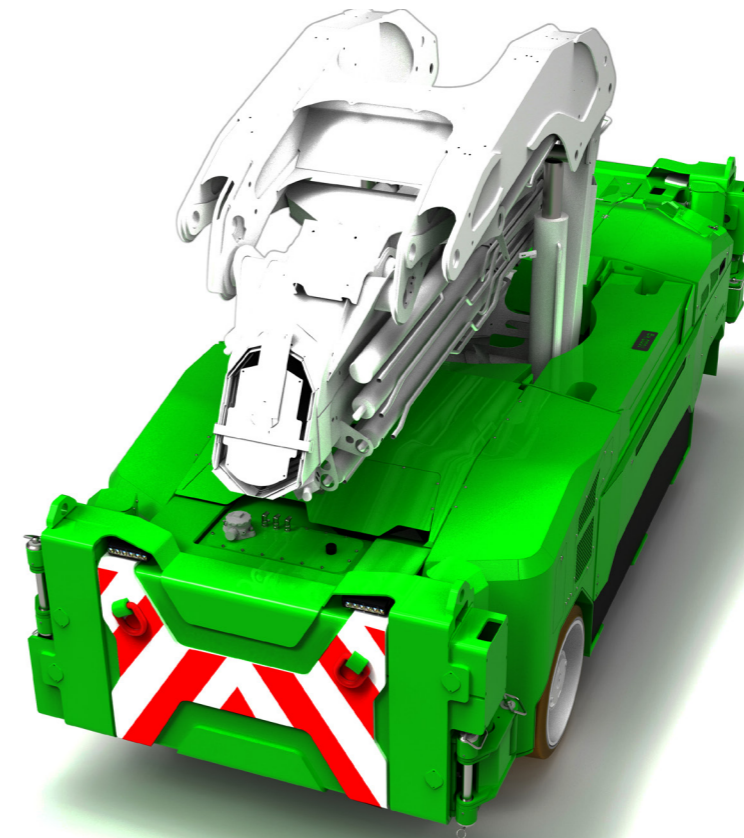
29010 Sarmato (PC) - Italy

t +39 0523 8486

e info@jmgcranes.com



Electric Pick & Carry Cranes



MC50000RE
Max Capacity
50.000 kg/m

www.jmgcranes.com

JMG[®]
movetosolution

MC 5000RE

- CRANE WITH 360° CONTINUOUS AND UNLIMITED HYDRAULIC BOOM ROTATION
- 9 SEQUENTIAL EXTENSIONS ARTICULATED BOOM
- 4 INDEPENDENT EXTENDABLE OUTRIGGERS, FOLDABLE FOR TRANSPORTATION
- FULLY RADIO-CONTROLLED
- CARRY DECK MAX CAPACITY 7 T
- CAPACITY MAX. ON TIRES KG 7000

Optionals:

- 4 EXTENSIONS HYDRAULIC JIB
- HYDRAULIC WINCH
- NON-MARKING TIRES
- ATEX CONVERSIONS
- CUSTOMIZED PAINTING



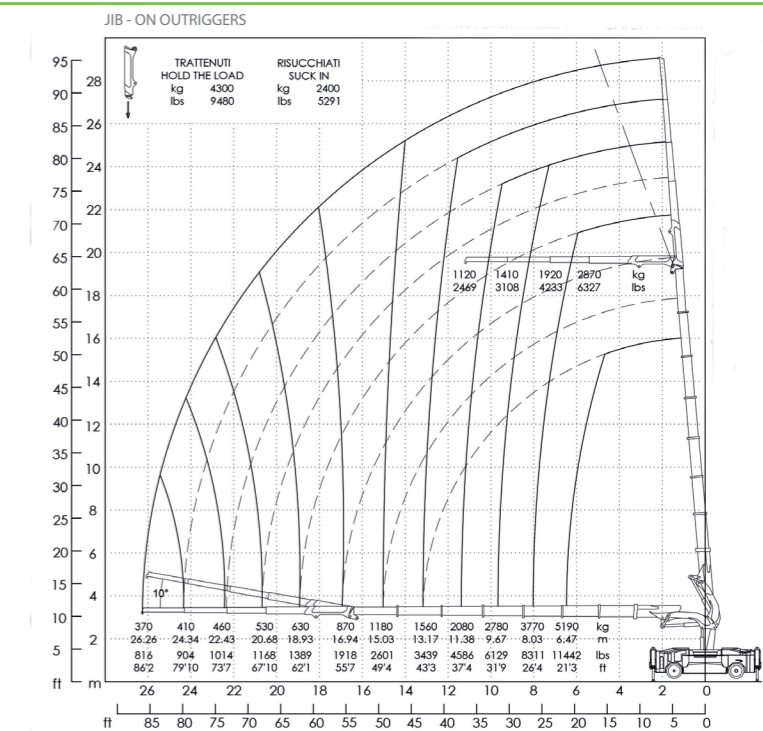
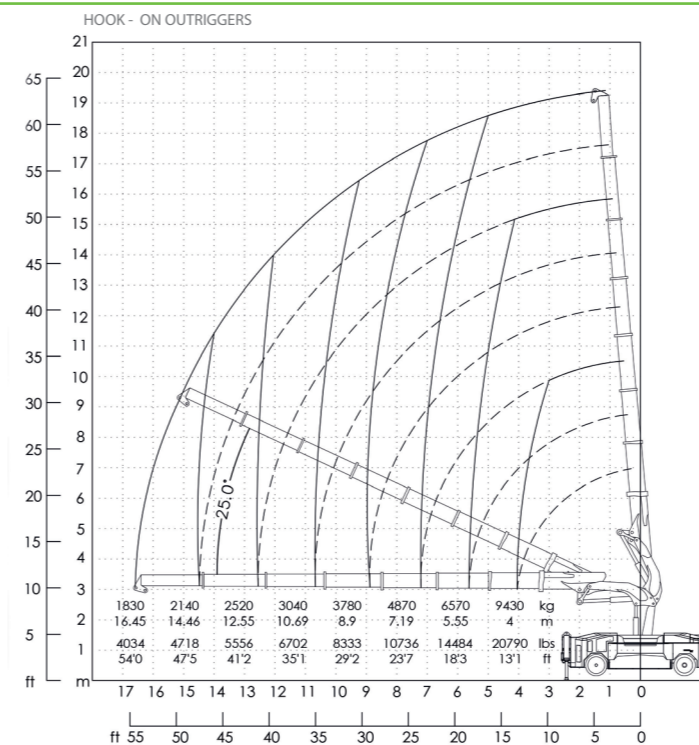
Static moment ma x kgx m	50.000
Dimension mm	5130x2050x2810



Technical features

	Front-wheels drive. 2 electric motors 10 kW 96 V Insulation class H		Electric Load Moment Indicator System
	Total Kg. 21.640 Removable counterweights Kg. 2.000		Automatic braking system on front and rear wheels
	96 V -1240 Ah 8 working hours autonomy		Fabricated from preformed and welded steel plate
	Front n. 2 cushion 28x16x22 Rear n. 2 cushion 28x10x22		Boom inclination angle +85° Rotation time 360° / 70 s
	Rear by steering axle. Steering angle -90°/+90°		Motor driven pump hydraulic system 35 kW - 96 V AC 16 kW - 96 V AC

Load charts



EU Standards CE

	UNI ISO 4301-1: A1
	2006/42 CE-2014/30 UE- 2014/35 UE- 2000/14 e and subsequent modifications
	EN 13000:2014 ANSI/ASME B30.5-2011 and subsequent modifications



Dimensions

