

Data subject to change without prior notice  
Edition 10/2022 © 2022 JMG Cranes S.p.A. All rights reserved  
Rev.2 - 10/22



# Electric Pick & Carry Cranes

JMG Cranes S.p.A.  
Sales & Service Office  
Via Bergamo, 142  
26100 Cremona - Italy  
t +39 0372 1786738  
Production Plant  
Via Zuccherificio 2  
29010 Sarmato (PC) - Italy  
t +39 0523 8486  
e info@jmgcranes.com



**MC750 TC  
(metric)**  
Max Capacity 750 kg

[www.jmgcranes.com](http://www.jmgcranes.com)



# MC750 TC

FULL FREE LIFT MAST

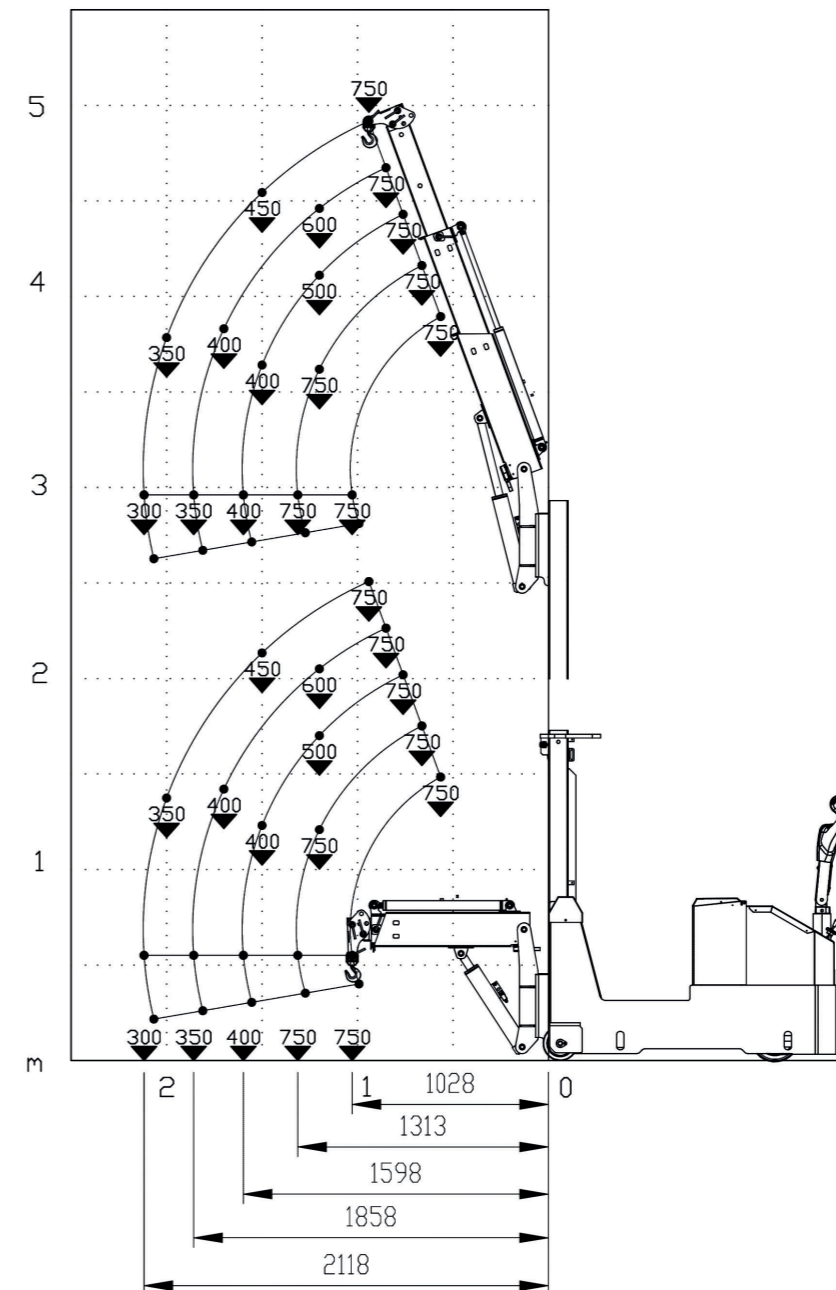
SERVO-ASSISTED STEERING DRAWBAR

COUNTER-BALANCED SYSTEM WITHOUT BASELEGS

LONG LASTING BATTERY: 24V ARMORED BATTERIES WITH A CAPACITY OF 270AH



## Load charts



## EU Standards CE

	UNI ISO 4301-2: A1
	2006/42 CE-2014/30 UE- 2000/14-4301 -1:A1 e and subsequent modifications
	EN 13000:2014 ANSI/ASME B30.5-2011 e and subsequent modifications



## Technical features

Closed boom horizontal	750 kg
Dimensions	2565x885x1728 mm
Total weight	2300 kg
L.M.I.	Electronic safe load indicator and tilting moment limiter



## Dimensions

