

Data subject to change without prior notice
Edition 10/2022 © 2022 JMG Cranes S.p.A. All rights reserved
Rev. 2 - 10/22



LIGE by JMG Cranes S.p.A.

Sales & Service Office

Via Bergamo, 142

26100 Cremona - Italy

t +39 0372 1786738

Production Plant

Via Zuccherificio 2

29010 Sarmato (PC) - Italy

t +39 0523 8486

e info@jmgcranes.com



www.jmgcranes.com

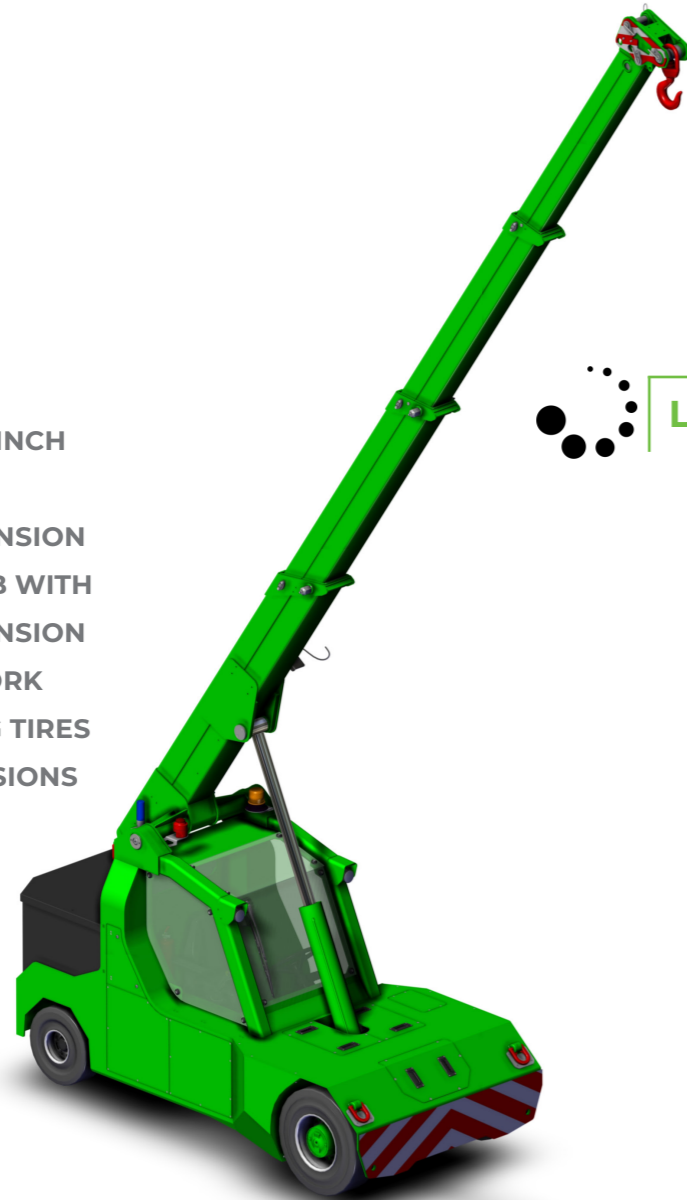
ELECTRIC PICK & CARRY CRANES



L60 (metric)
Max Capacity 6.000 kg

LIGE
SINCE 1945 by JMG

WIDE AND ERGONOMIC CABIN
FRONT WHEELS DRIVE
WITH COUNTER ROTATION
COMPACTNESS AND AGILITY
REAR STEERING



Optionals:

- HYDRAULIC WINCH
- MANUAL JIB
- MANUAL EXTENSION
- HYDRAULIC JIB WITH MANUAL EXTENSION
- HYDRAULIC FORK
- NON-MARKING TIRES
- ATEX CONVERSIONS



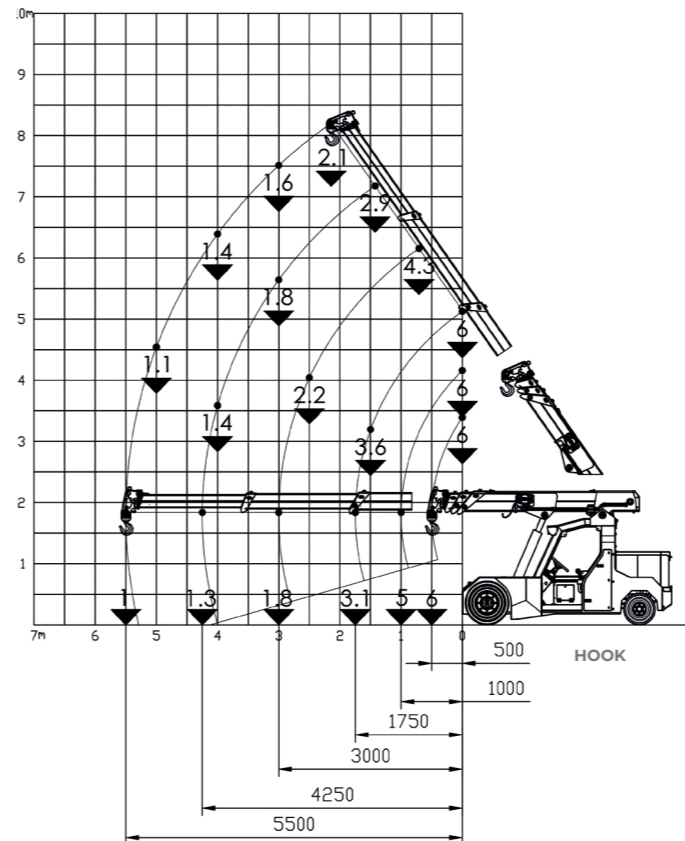
Load charts



Technical features

Max Capacity kg	6,000
Dimensions mm	3420x1600x2200

Front-wheels drive. N°2 electric motors AC 7.5 kW 80V. Insulation class H	L.M.L. Electronic safe load indicator and tilting moment limiter
Total Kg. 6.700	Service brake: hydraulic with foot control. Parking and emergency brake: hydraulic with automatic control.
80 V - 540 Ah 8 working hours	Self-supporting steel structure bent and welded
Front nr. 2 superelastic 250-15" Rear nr. 2 superelastic 21x8-9"	+55°/-17°
Rear Steering angle -90°/+90°	Motor driven pump 12 kW - 80 V AC, Insulation class H



EU Standards CE

	UNI ISO 4301-1: A1
	2006/42 CE-2014/30 UE-2014/35 UE- 2000/14 and subsequent modifications
	EN 13000:2014 ANSI/ASME B30.5-2011 and subsequent modifications



Dimensions

