

Data subject to change without prior notice
Edition 10/2022 © 2022 JMG Cranes S.p.A. All rights reserved
Rev. 2 - 10/22



Electric Pick & Carry Cranes

JMG Cranes S.p.A.

Sales & Service Office

Via Bergamo, 142

26100 Cremona - Italy

t +39 0372 1786738

Production Plant

Via Zuccherificio 2

29010 Sarmato (PC) - Italy

t +39 0523 8486

e info@jmgcranes.com



GREENLIFTER (metric)

Max Capacity 900 kg

www.jmgcranes.com



BOOM ELECTRO-HYDRAULIC CONTROLS BY BATTERY OPERATED RADIO-CONTROL
MANUAL DRIVING AND STEERING
FULLY DISMOUNTABLE

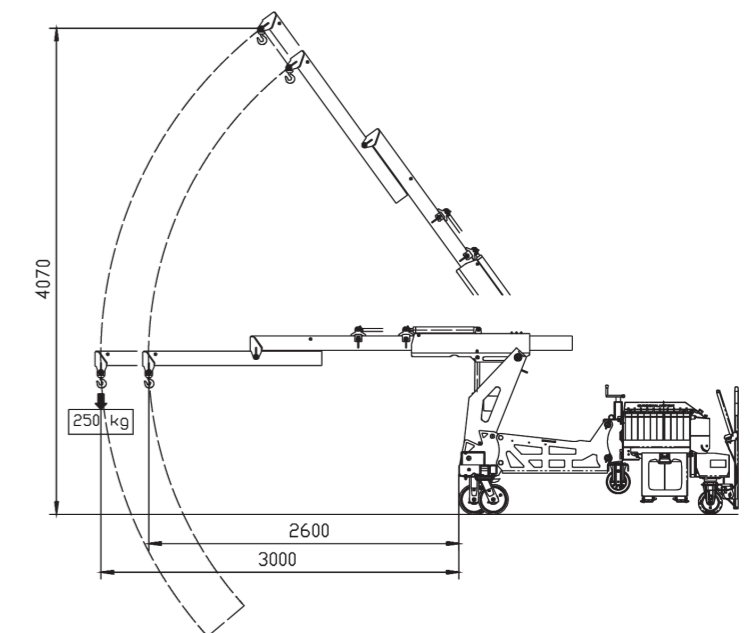
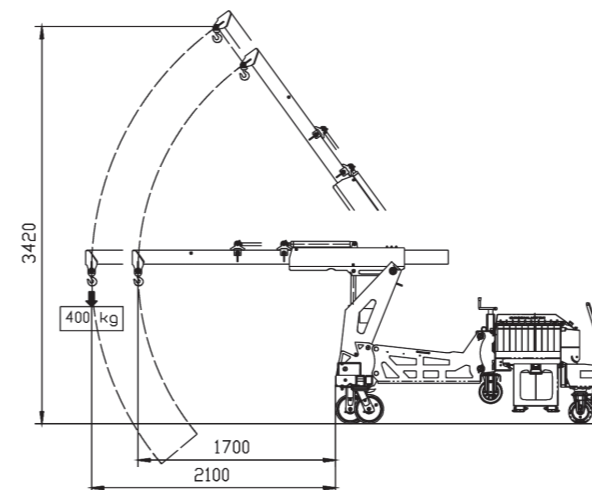
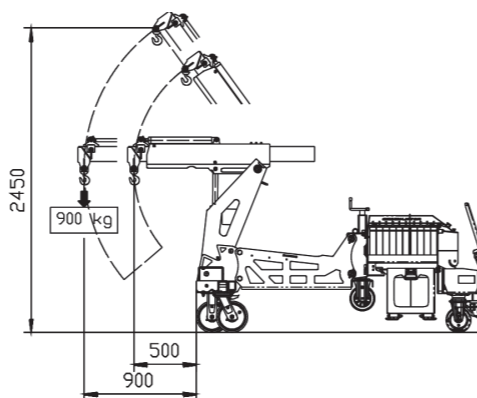


i Technical features

Max Capacity kg	900
Dimensions mm	2340x1740x1570

	Manual driving		Boom electro-hydraulic controls by battery operated radio-control. (up-down / in-out)
	Total Kg. 1,060 Removable counterweights Kg. 400 Removable battery Kg. 188		Mechanical parking brake on front wheels and negative drum brake to be activated by the steering helm on rear wheels
	24 V - 240 Ah 8 working hours		Fabricated from preformed and welded quality steel plate
	Front 4 polyurethanic 250x60 Rear 2 in polyurethanic 200x50 Mid wheels 2 in polyurethanic 200x50 with fixed support		+54°/-40°
	Rear Steering angle -90°/+90°		

i Load charts



EU Standards CE

	UNI ISO 4301-2: A1
	2006/42 CE-2014/30 UE- 2000/14-4301 -1:A1 e and subsequent modifications
	EN 13000:2014 ANSI/ASME B30.5-2011 e and subsequent modifications

Dimensions

