

Data subject to change without prior notice  
Edition 10/2022 © 2022 JMG Cranes S.p.A. All rights reserved  
Rev. 2 - 10/22

## JMG Cranes S.p.A.

Sales & Service Office

Via Bergamo, 142

26100 Cremona - Italy

t +39 0372 1786738

Production Plant

Via Zuccherificio 2

29010 Sarmato (PC) - Italy

t +39 0523 8486

e info@jmgcranes.com



[www.jmgcranes.com](http://www.jmgcranes.com)



## Electric Pick & Carry Cranes



**MC 100RE (metric)**

**Max Capacity  
10,000 Kg**

**JMG**<sup>®</sup>  
movetosolution

# MC 100RE

360° CONTINUOUS AND UNLIMITED HYDRAULIC SLEWING BOOM

FRONT AND REAR HORIZONTALLY AND VERTICALLY WORKING  
INDEPENDENT OUTRIGGERS

CARRY DECK SLEWING CRANE

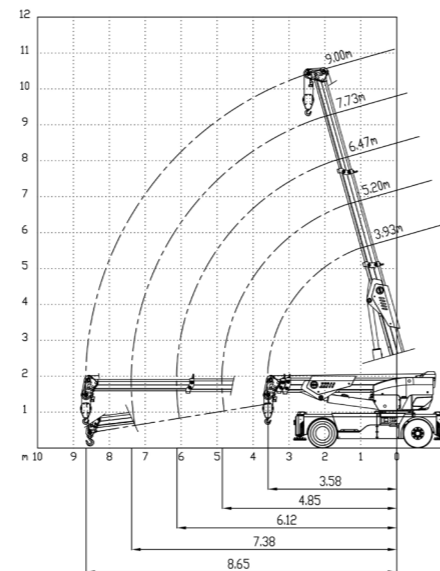
### Options :

- HYDRAULIC JIB WITH HYDRAULIC EXTENSION
- NON-MARKING TIRES
- MAN BASKET
- ATEX CONVERSIONS
- CUSTOMIZED PAINTING



Max Capacity kg	10.000
Dimensions mm	4150x1850x1980

### Load charts



### Technical features

Front-wheels drive. 2 electric motors AC 8,5 kW 80V Insulation class H	LMI Electronic safe load indicator and tilting moment limiter
Total Kg. 12,000	Automatic braking system on front and rear wheels
80 V - 920 Ah Autonomy 8 working hours	Fabricated from preformed and welded steel plate
Front n.4 superelastic 355-65-15" Rear n.2superelastic 300-15"	Boom inclination angle +74°/-7°
Rear by steering axle. Steering angle -92° / +92	Motor driven pump 20 kW - 80 V AC.

	0°	FRONT		NO													
	0°	FRONT		YES				SIDE		700mm				REAR			
	0°	FRONT		YES				SIDE		700mm				REAR			
	0°	FRONT		YES				SIDE		700mm				REAR			
(t)	3,93m	5,20m	6,47m	7,73m	9,00m	(t)	3,93m	5,20m	6,47m	7,73m	9,00m	(t)	3,93m	5,20m	6,47m	7,73m	9,00m
1,10m	10					1,10m	10					1,10m	10				
1,50m	10	10				1,50m	10	10				1,50m	10	10			
2,00m	10	10	10			2,00m	10	10	10			2,00m	10	10	10		
2,50m	10	10	10	8,5	7	2,50m	10	10	10	8,5	7	2,50m	10	10	10	8,5	7
3,00m	10	10	8,6	7,1	6	3,00m	10	10	8,6	7,1	6	3,00m	8,2	8,2	8,15	7,1	6
3,58m	7,65	7,9	7,4	6,1	5,1	3,58m	10	9,8	7,5	6	5,1	3,58m	6	6	6	6	5,1
4,00m		5,9	5,9	5,6	4,4	4,00m		8,8	6,6	5,5	4,4	4,00m		4,65	4,65	4,6	4,4
4,85m		3,9	3,9	4	3,6	4,85m		7,2	5,6	4,4	4	4,85m		3,35	3,35	3,3	3,3
5,00m			3,65	3,65	3,5	5,00m			5,3	4,3	3,5	5,00m			3,15	3,15	3,15
5,50m			3	3	3	5,50m			4,8	3,9	3,2	5,50m			2,7	2,65	2,65
6,12m			2,5	2,5	2,5	6,12m			4,4	3,7	2,8	6,12m			2,25	2,25	2,25
6,50m				2,25	2,25	6,50m				3,3	2,7	6,50m				2	2
7,00m				1,95	1,95	7,00m				3	2,5	7,00m				1,8	1,75
7,38m				1,75	1,75	7,38m				2,9	2,3	7,38m				1,6	1,6



### EU Standards CE

	UNI ISO 4301-1: A1
	2006/42 CE-2014/30 UE-2014/35 UE- 2000/14 e and subsequent modifications
	EN 13000:2014 ANSI/ASME B30.5-2011 and subsequent modifications



### Dimensions

