

Data subject to change without prior notice  
Edition 10/2022 © 2022 JMG Cranes S.p.A. All rights reserved  
Rev. 2 - 10/22

## JMG Cranes S.p.A.

Sales & Service Office

Via Bergamo, 142

26100 Cremona - Italy

t +39 0372 1786738

Production Plant

Via Zuccherificio 2

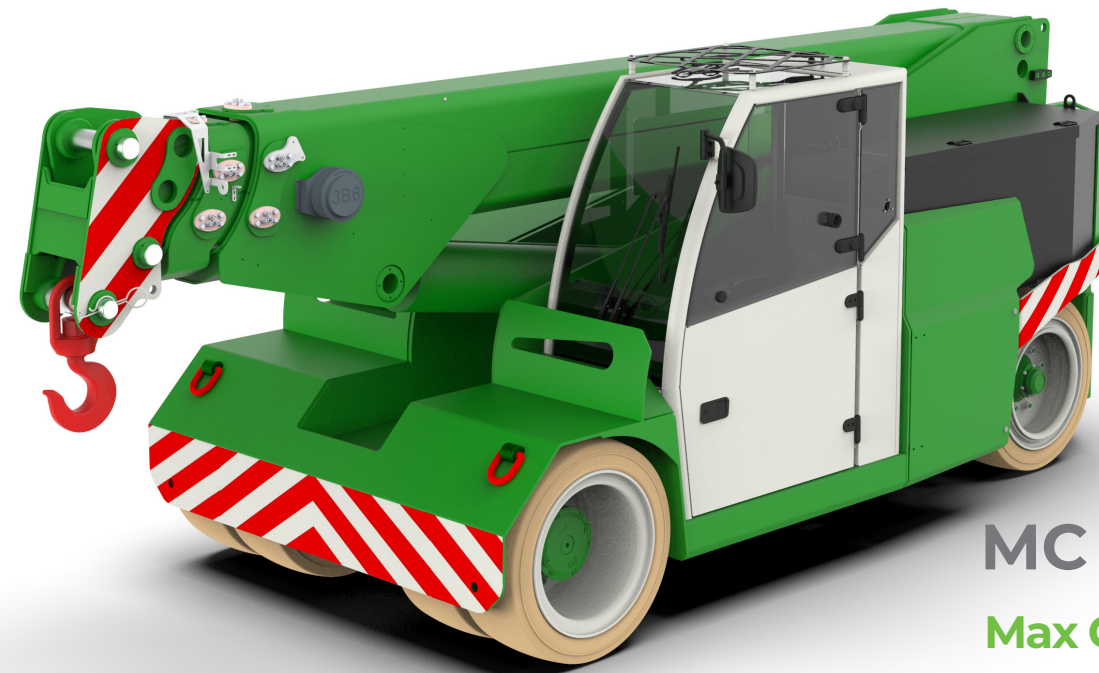
29010 Sarmato (PC) - Italy

t +39 0523 8486

e [info@jmgcranes.com](mailto:info@jmgcranes.com)



## Electric Pick & Carry Cranes



**MC 160 (metric)**

**Max Capacity 16,000 kg**

[www.jmgcranes.com](http://www.jmgcranes.com)

**JMG**<sup>®</sup>  
movetosolution

TELESCOPIC BOOM

FRONT-WHEELS DRIVE WITH COUNTER ROTATION

REMOVABLE COUNTERWEIGHTS



**Options :**

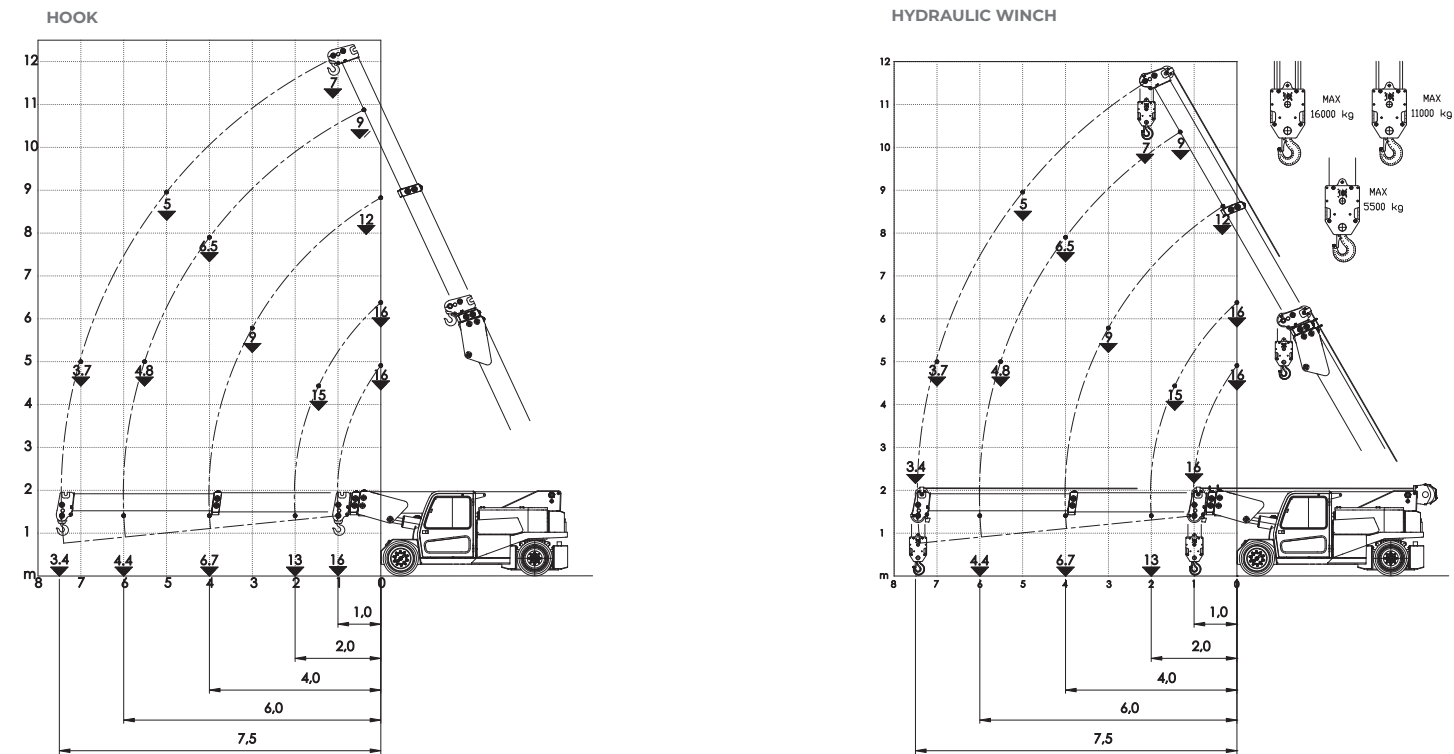
- HYDRAULIC WINCH
- HYDRAULIC JIB
- HYDRAULIC EXTENSION
- MANUAL JIB
- MANUAL EXTENSION
- NON-MARKING TIRES
- RADIO REMOTE CONTROL
- HYDRAULIC FORKS
- MAN BASKET
- ATEX CONVERSIONS
- CUSTOMIZED PAINTING



**Technical features**

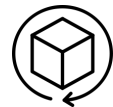
Max Capacity kg	16,000	Front-wheels drive. 2 electric motors AC 10 kW 96V Insulation class H	LMI. Electronic safe load indicator and tilting moment limiter
	Dimension mm	4395x2070x2000	
			96 V - 1035 Ah 8 working hours
		Front nr. 4 superelastic 355/50-20" Rear nr. 2 superelastic 355/50-20"	+65°/-4°
		Rear Steering angle -90°/+90°	Motor driven pump 1x24 kW-96 V AC, 1x12 kW-96 V AC

**Load charts**



**EU Standards CE**

	UNI ISO 4301-1: A1
	2006/42 CE-2014/30 UE-2014/35 UE- 2000/14 and subsequent modifications
	EN 13000:2014 ANSI/ASME B30.5-2011 and subsequent modifications



**Dimensions**

