

Data subject to change without prior notice
Edition 10/2022 © 2022 JMG Cranes S.p.A. All rights reserved
Rev. 2 - 10/22

JMG Cranes S.p.A.

Sales & Service Office

Via Bergamo, 142

26100 Cremona - Italy

t +39 0372 1786738

Production Plant

Via Zuccherificio 2

29010 Sarmato (PC) - Italy

t +39 0523 8486

e info@jmgcranes.com



Electric Pick & Carry Cranes



MC 22500RE(metric)

**Max Capacity
22.500 kgm**

www.jmgcranes.com

JMG[®]
movetosolution

CRANE WITH 360° CONTINUOUS AND UNLIMITED HYDRAULIC BOOM ROTATION

9 SEQUENTIAL EXTENSIONS ARTICULATED BOOM

4 INDEPENDENT EXTENDABLE OUTRIGGERS, FOLDABLE FOR TRANSPORTATION

FULLY RADIO-CONTROLLED

Options :

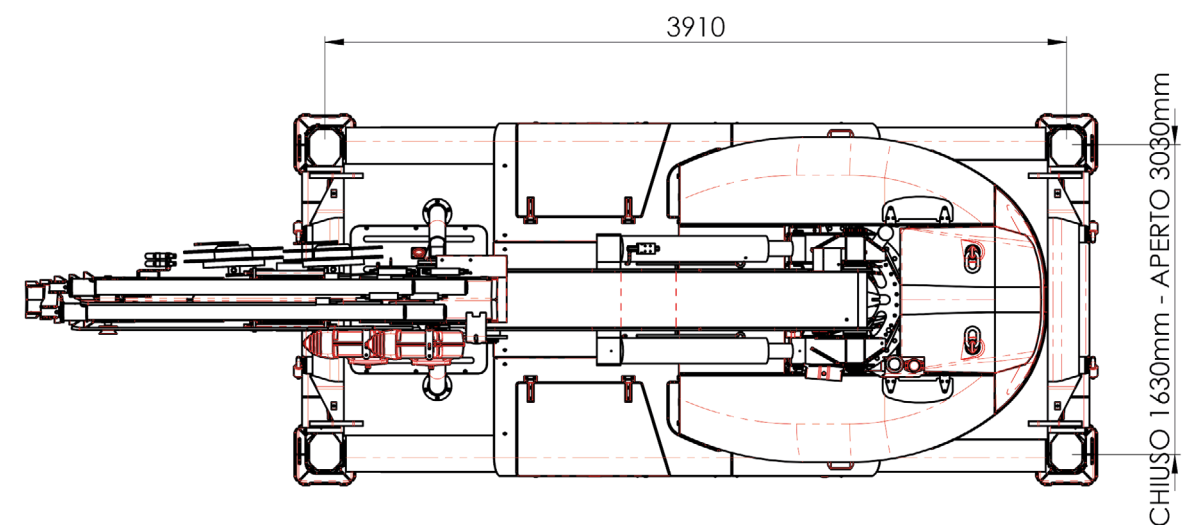
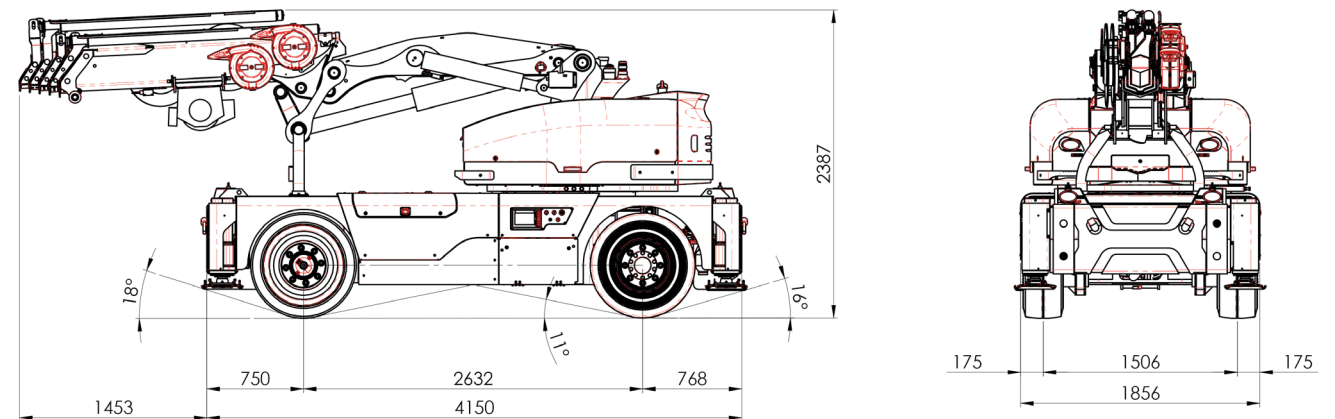
- HYDRAULIC JIB
- NON-MARKING TIRES
- MAN BASKET
- ATEX CONVERSIONS
- CUSTOMIZED PAINTING

i **Technical features**

Static moment max kg/m	22.500
Dimensions mm	4150x1860x2390

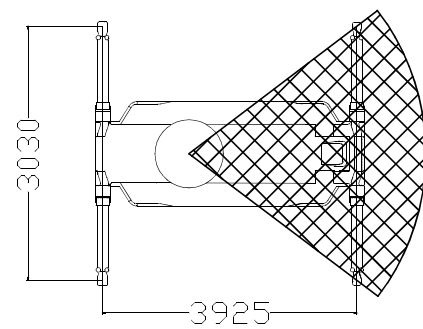
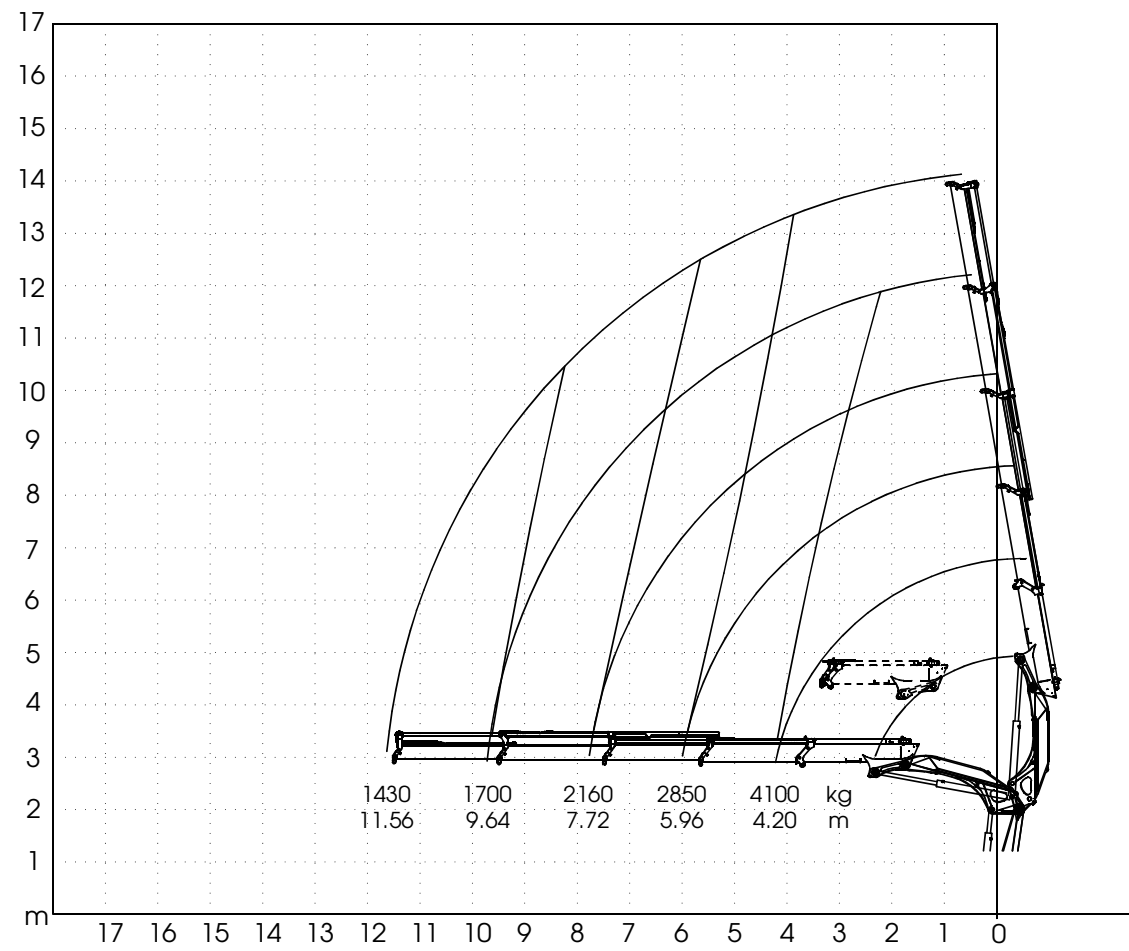
Front-wheels drive. 2 electric motors AC 8,5 kW 80V Insulation class H	LMI. Electronic safe load indicator and tilting moment limiter
Total Kg. 13150	Automatic braking system on front and rear wheels
80 V - 920 Ah Autonomy 8 working hours	Fabricated from preformed and welded steel plate
Front n. 4 superelastic 365-65-15" Rear n. 2superelastic 355-15"	Boom inclination angle 80° Rotation time 70s
Rear by steering axle. Steering angle -92° / +92	Rotation on time motor driven pump hydraulic system 20 kW - 80 V AC.

Dimensions

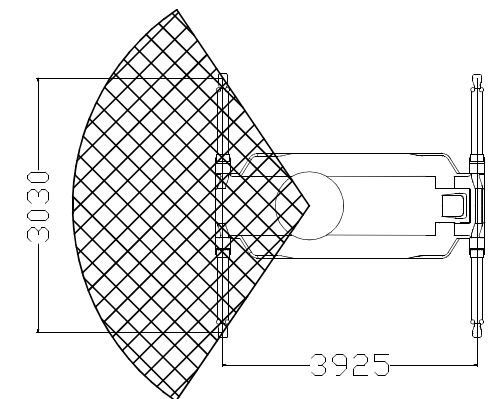
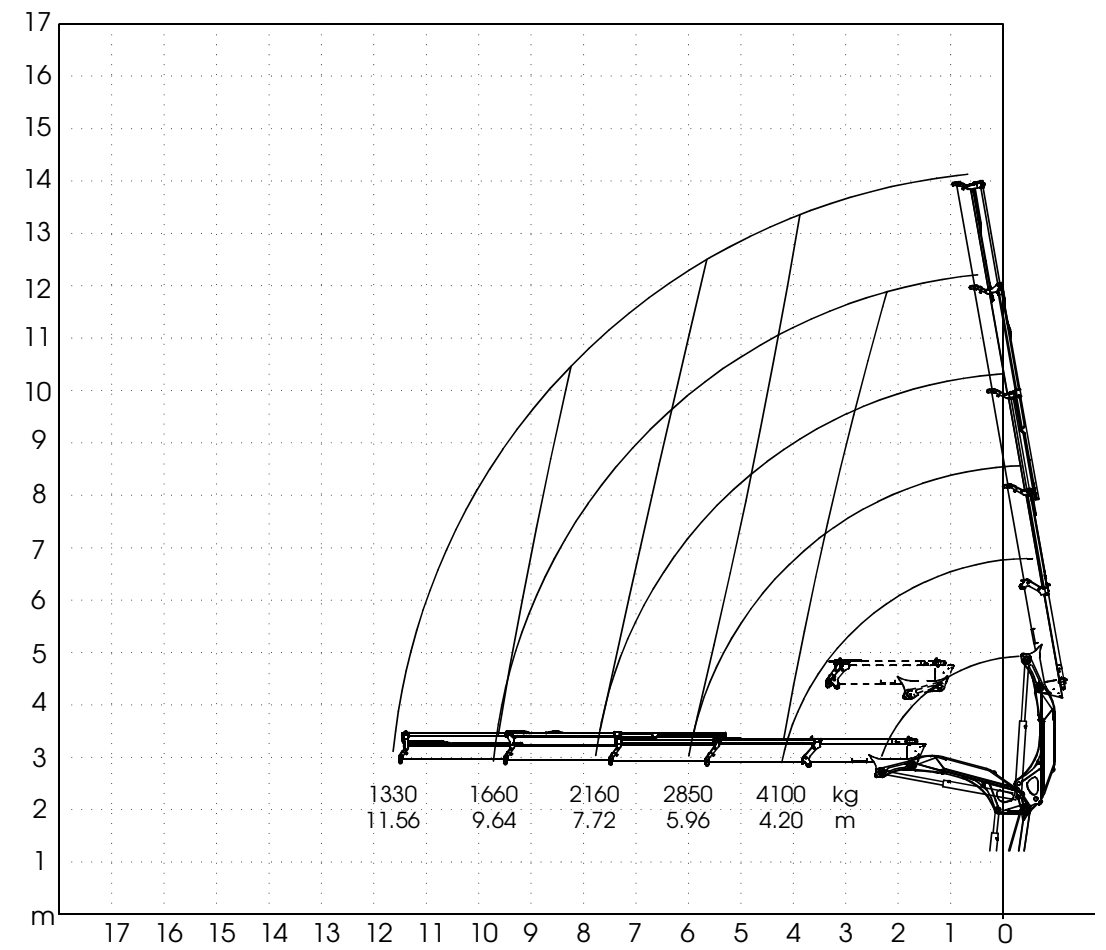


EU Standards CE

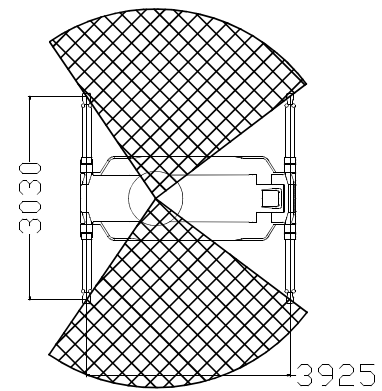
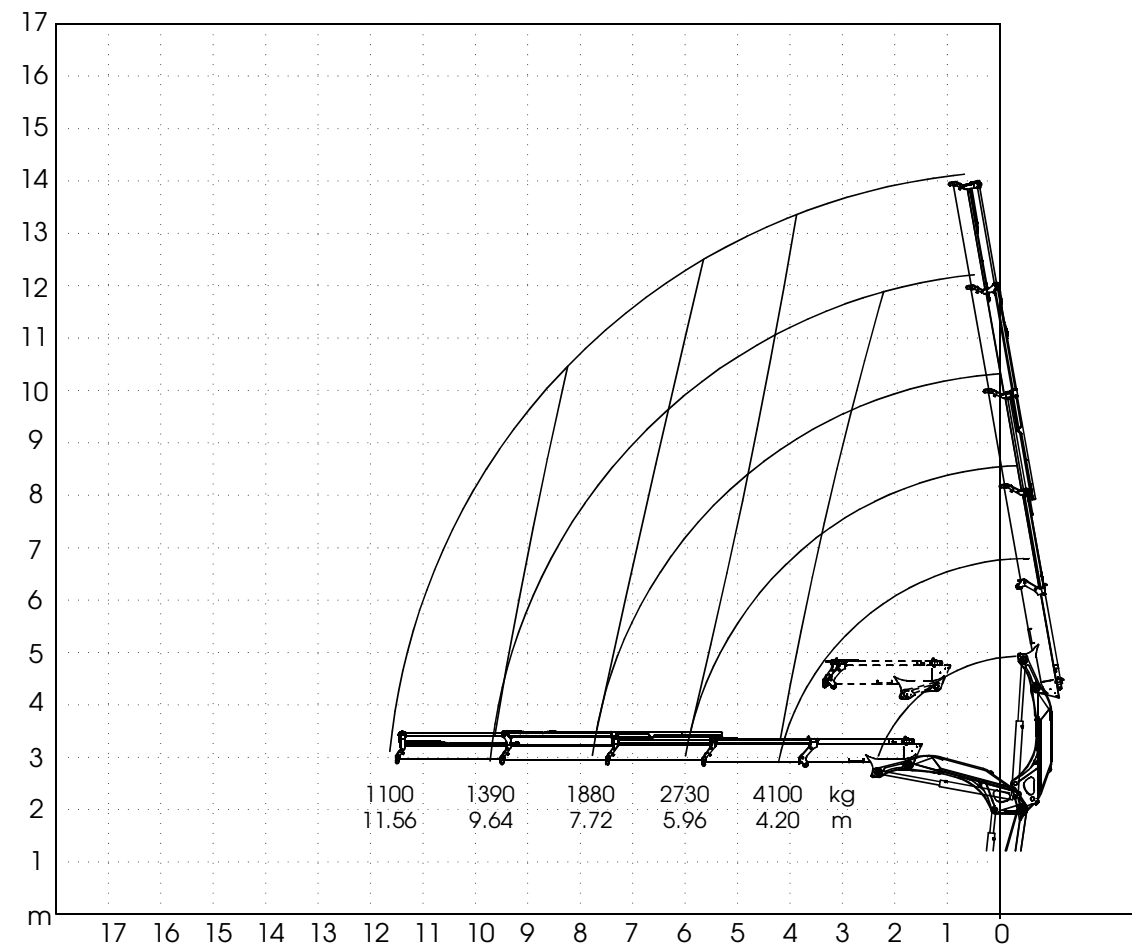
	UNI ISO 4301-1: A1
	2006/42 CE-2014/30 UE- 2014/35 UE- 2000/14 e and subsequent modifications
	EN 13000:2014 ANSI/EN 12999:2020 ASME B30.5-2011 and subsequent modifications



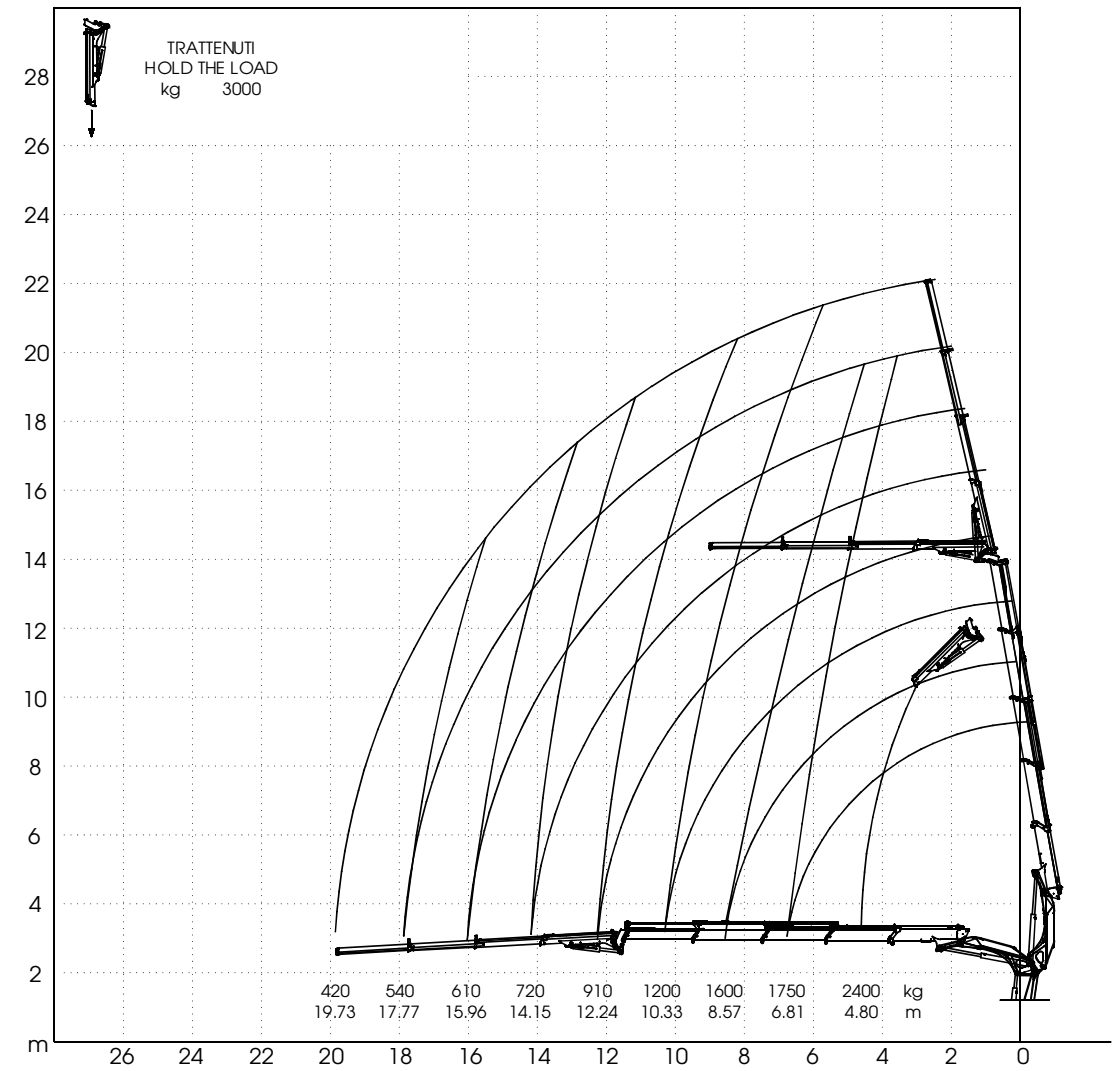
Front Reach



Rear Reach

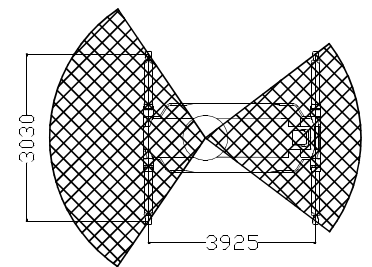


Side Reach



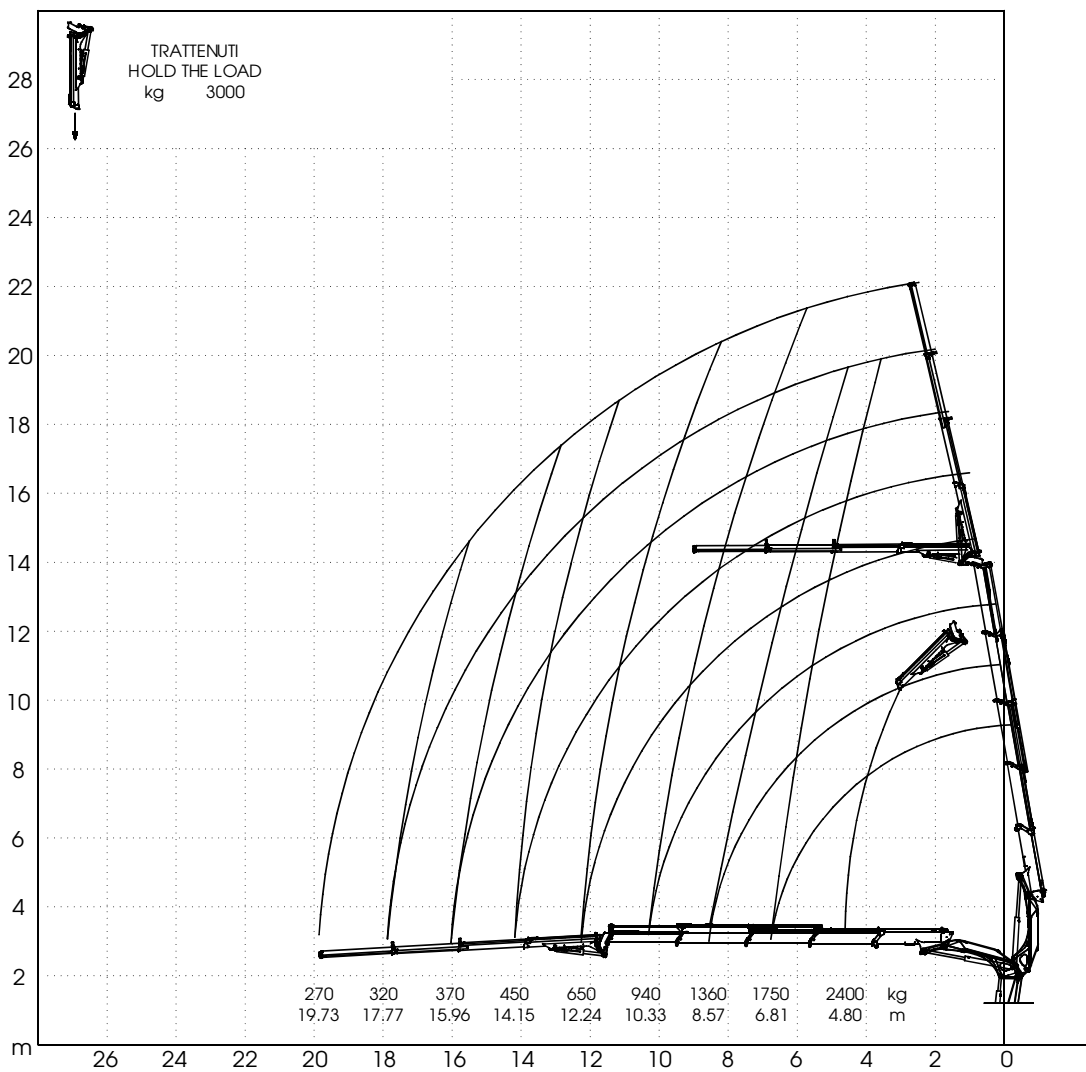
PORTATE DEL JIB - JIB CAPACITIES

kg 1750 880 570 420



Front Reach- Jib

MC 22500RE



PORTATE DEL JIB - JIB CAPACITIES

