

Data subject to change without prior notice
Edition 10/2022 © 2022 JMG Cranes S.p.A. All rights reserved
Rev. 2 - 10/22



Electric Pick & Carry Cranes

JMG Cranes S.p.A.

Sales & Service Office

Via Bergamo, 142

26100 Cremona - Italy

t +39 0372 1786738

Production Plant

Via Zuccherificio 2

29010 Sarmato (PC) - Italy

t +39 0523 8486

e info@jmgcranes.com



MC 450S (metric)

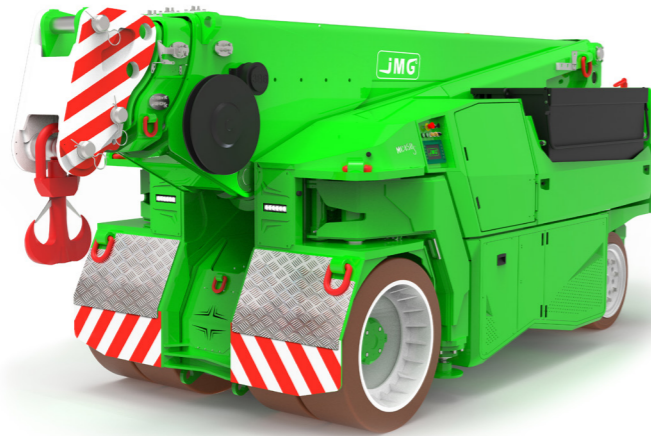
**Max Capacity
45.000 kg**

www.jmgcranes.com

JMG[®]
movetosolution

MC 450S

- RADIO REMOTE CONTROLLED
- FRONT-WHEELS DRIVE WITH COUNTER ROTATION
- PROPORTIONAL TELESCOPIC BOOM
- EXTENDIBLE REAR GROUP WITH REMOVABLE COUNTERWEIGHTS
- FRONT COMPASS
- OUTRIGGERS



Options :

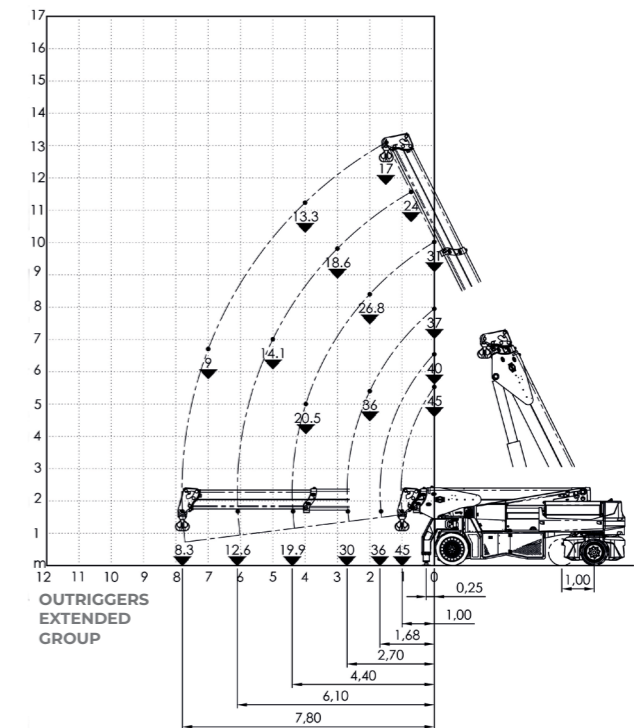
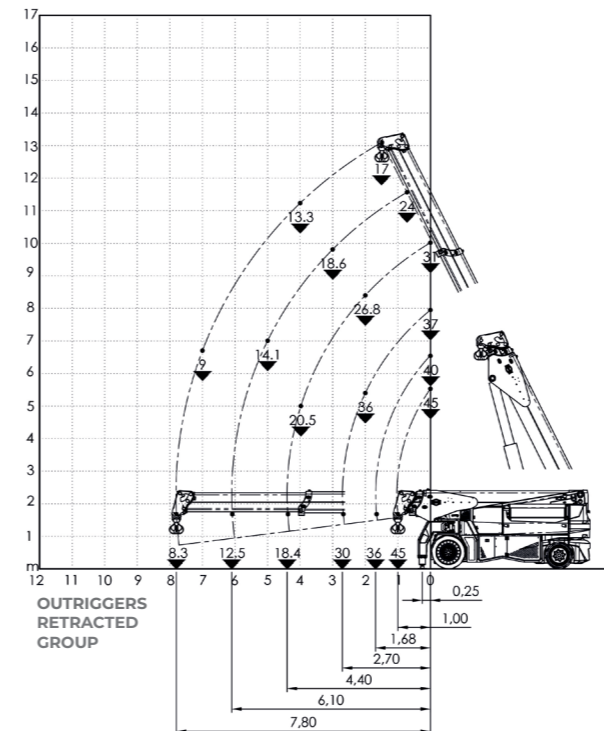
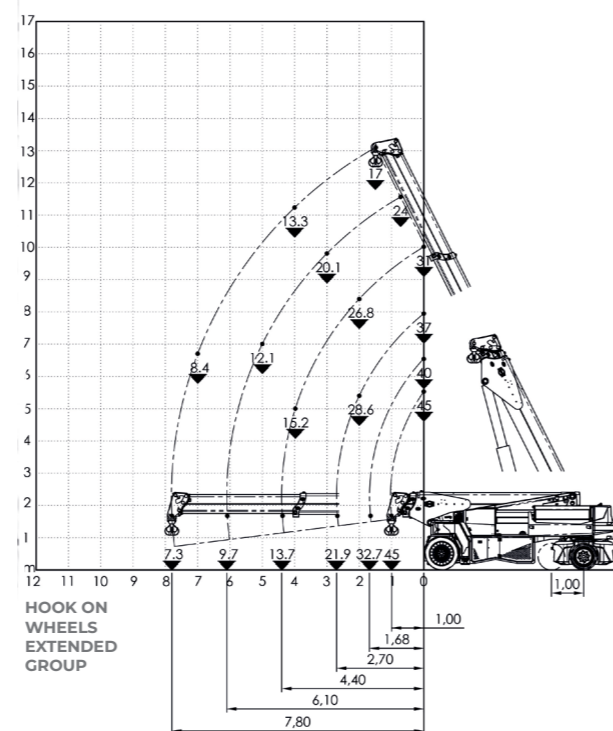
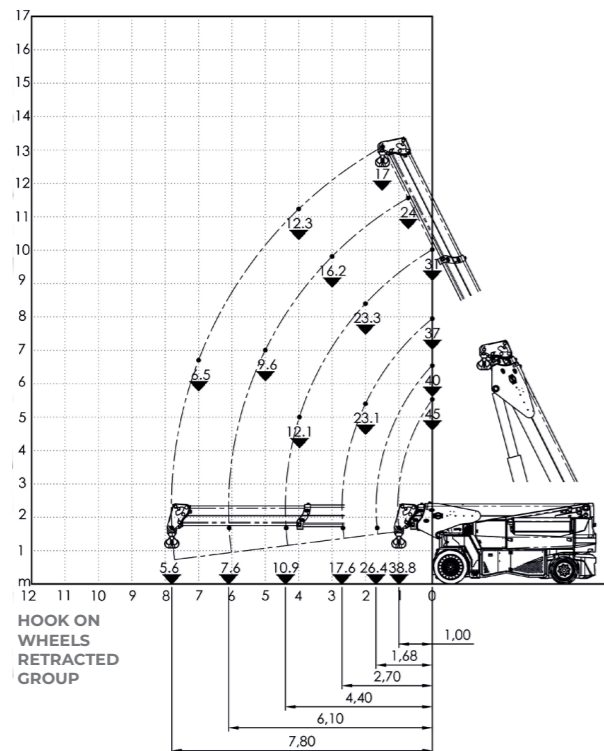
- HYDRAULIC WINCH
- HYDRAULIC JIB
- MANUAL JIB
- MANUAL EXTENSION
- NON-MARKING TIRES
- HYDRAULIC FORKS
- MAN BASKET
- ATEX CONVERSIONS
- CUSTOMIZED PAINTING



Technical features

Max Capacity kg	45.000	Front-wheels drive. 2 electric motors AC 12 kW 96V. Insulation class H	Electronic safe load indicator and tilting moment limiter
	Dimensions mm	4900x2200x2415	TotalKg. 37,000 Removable counterweights Kg. 10,600
Dimensions mm		96 V - 1550 Ah 8 working hours	Automatic braking system on all wheels
	Dimensions mm	Front nr. 4 superelastic 40x16-30" Rear nr. 4 superelastic 355/50-20"	Fabricated from preformed and welded quality steel plate
Dimensions mm		Rear Steering angle -90°/+90°	+63°/-4°
			Motor driven pump 1x45 kW - 96 V AC, 1x23 kW - 96 AC.

Load charts



EU Standards CE

	UNI ISO 4301-1: A1
	2006/42 CE-2014/30 UE-2014/35 UE- 2000/14 and subsequent modifications
	EN 13000:2014 ANSI/ASME B30.5-2011 and subsequent modifications



Dimension

