

Data subject to change without prior notice
Edition 10/2022 © 2022 JMG Cranes S.p.A. All rights reserved
Rev. 2 - 10/22

JMG Cranes S.p.A.

Sales & Service Office

Via Bergamo, 142

26100 Cremona - Italy

t +39 0372 1786738

Production Plant

Via Zuccherificio 2

29010 Sarmato (PC) - Italy

t +39 0523 8486

e info@jmgcranes.com



Electric Pick & Carry Cranes



MC 45S (metric)
Max Capacity 4,500 Kg

www.jmgcranes.com

JMG[®]
movetosolution

MC 45S

- RADIO REMOTE CONTROLLED
- FRONT-WHEELS DRIVE WITH COUNTER ROTATION
- REMOVABLE COUNTERWEIGHT
- SEQUENTIAL BOOM

Options :

- HYDRAULIC WINCH
- HYDRAULIC JIB
- NON-MARKING TIRES
- ATEX CONVERSIONS
- CUSTOMIZED PAINTING

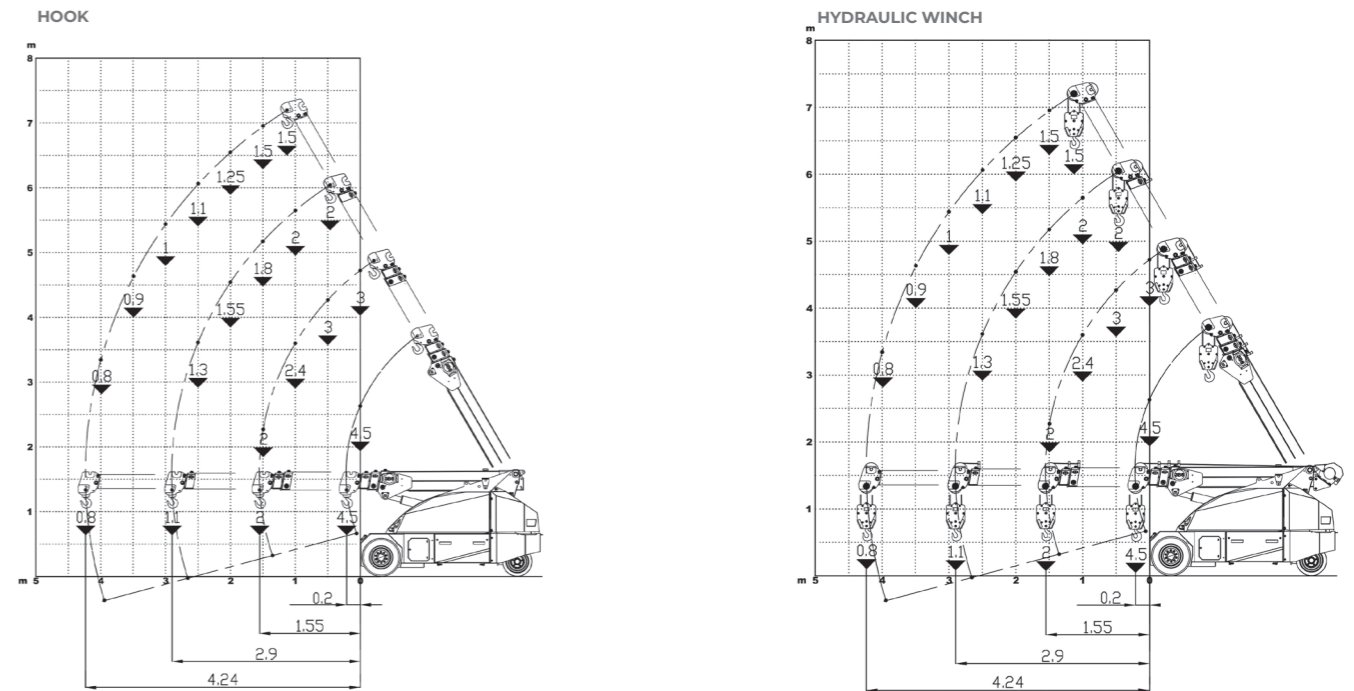


Technical features

Max Capacity kg	4,500
Dimensions mm	2775x1200x1648

Front-wheels drive. 2 electric motors AC 3 kW 48V Insulation class H	LMI. Electronic safe load indicator and tilting moment limiter
Total Kg. 4,900 Removable counterweights Kg.1,360	Automatic braking system on all wheels
48 V - 600 Ah 8 working hours	Fabricated from preformed and welded quality steel plate
Front nr. 2 superelastic 23x10-12" Rear nr. 2 superelastic 18x7-8"	+60°/-15°
Rear Steering angle -90°/+90°	Motor driven pump 9 kW - 48 V AC, Insulation class H

Load charts



EU Standards CE

	UNI ISO 4301-2: A1
	2006/42 CE-2014/30 UE- 2000/14-4301 -1:A1 e and subsequent modifications
	EN 13000:2014 ANSI/ASME B30.5-2011 e and subsequent modifications

Dimensions

