

Data subject to change without prior notice  
Edition 10/2022 © 2022 JMG Cranes S.p.A. All rights reserved  
Rev. 2 - 10/22

## JMG Cranes S.p.A.

Sales & Service Office

Via Bergamo, 142

26100 Cremona - Italy

t +39 0372 1786738

Production Plant

Via Zuccherificio, 2

29010 Sarmato (PC) - Italy

t +39 0523 8486

e info@jmgcranes.com



## Electric Pick & Carry Cranes



**MC 650 (metric)**  
Max Capacity  
65.000 kg

[www.jmgcranes.com](http://www.jmgcranes.com)

**JMG**<sup>®</sup>  
movetosolution

# MC 650

FRONT-WHEELS DRIVE WITH COUNTER ROTATION

HYDRAULICALLY TELESCOPING PROPORTIONAL TYPE BOOM

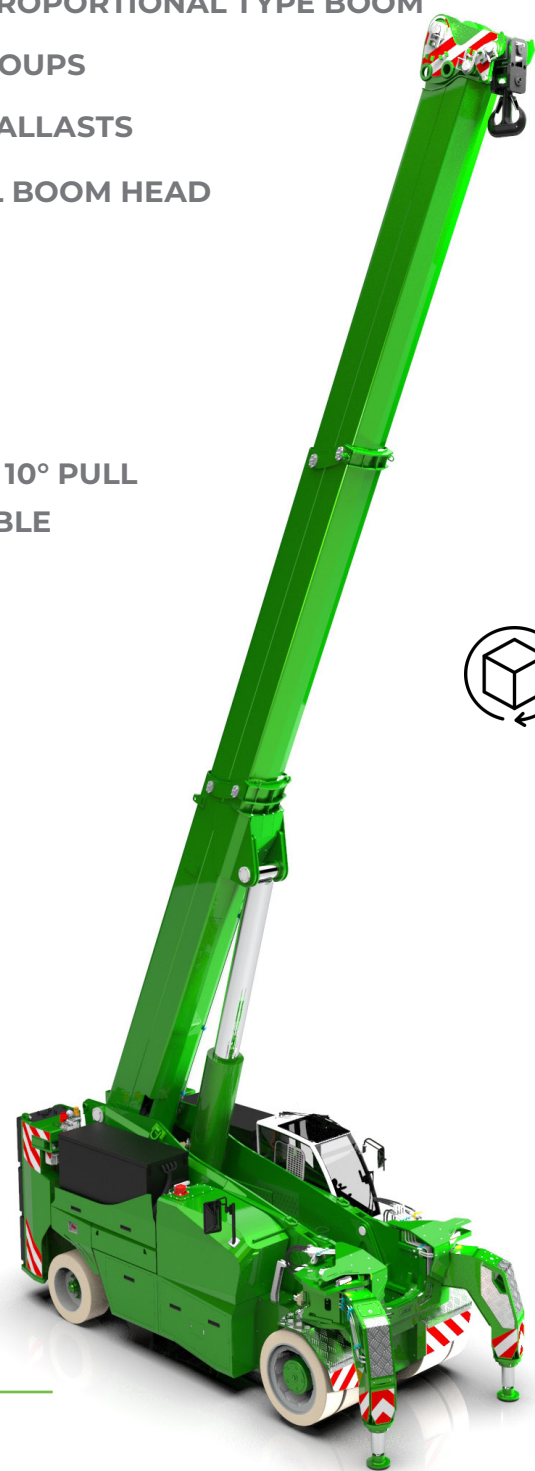
N° 2 INDEPENDENT STEERING GROUPS

SELF-LOADING/UNLOADING OF BALLASTS

3-POSITION TILTING MECHANICAL BOOM HEAD

### Optionals:

- 55 T HYDRAULIC WINCH WITH 10° PULL
- FRONT OUTRIGGERS REMOVABLE
- NON-MARKING TIRES
- RADIO REMOTE CONTROL
- ATEX CONVERSATION
- CUSTOMIZED PAINTING



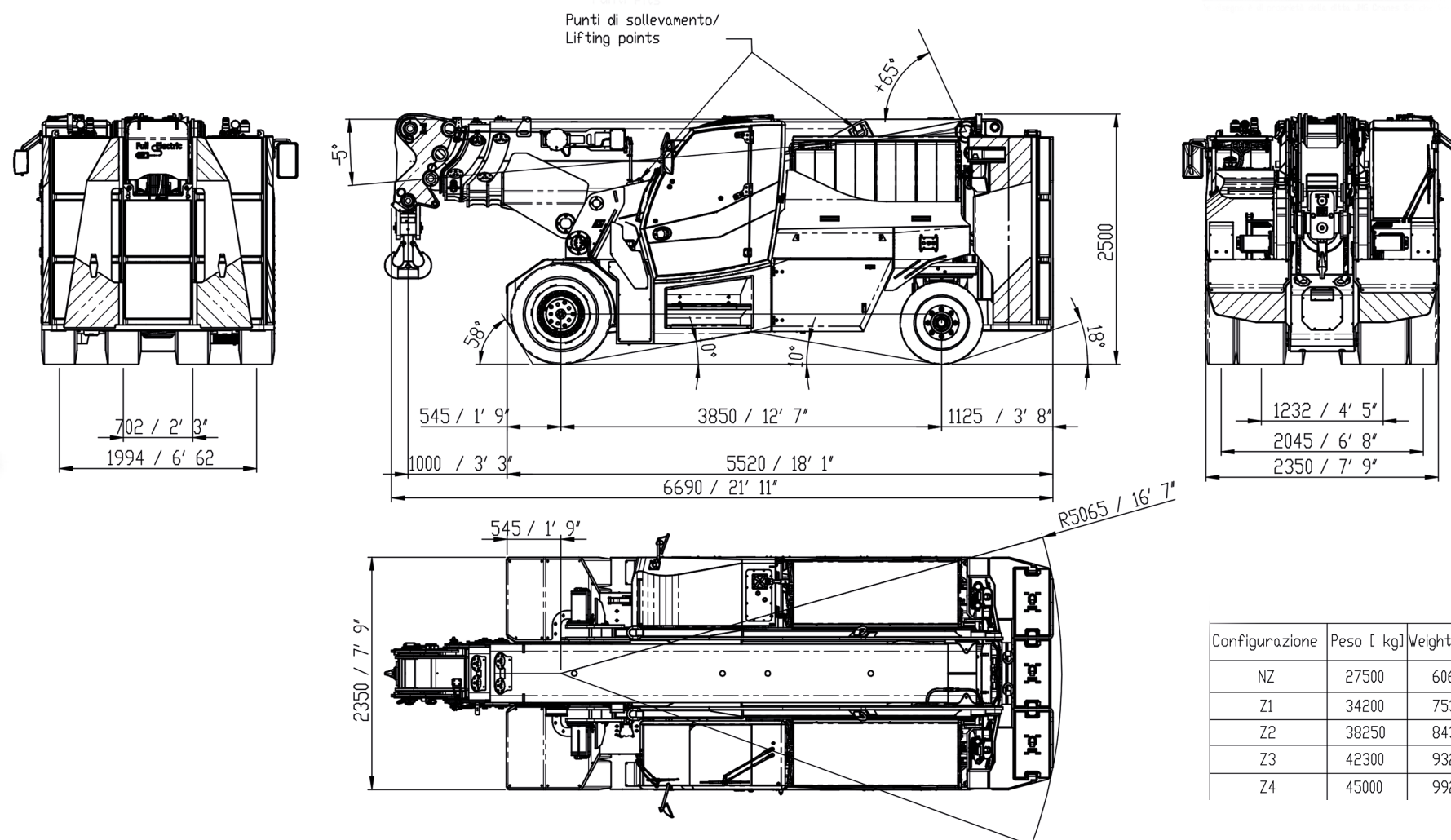
### Technical features

Max Capacity kg	65.000
Dimensions mm	5500x2500x2350

	Front-wheels drive. 2 electric motors AC 16 kW 96V AC. Insulation class H	<b>LMI.</b>	Electronic safe load indicator and tilting moment limiter
	Total Kg. 45.000 Removable counterweights Kg. 17.500		Hydraulically foot controlled service brake on all wheels, hydraulically automatic or button controlled parking brake on front wheels
	96 V - 1550 Ah 8 working hours		Fabricated from preformed and welded quality steel plate
	Front n° 4 cushion: n 2° 40x20-30" n 2° 40x12-30 Rear n.4 cushion 840x356x559		+65°/-5°
	Rear Steering angle -90°/+90°		Motor drive pump 2x 35 kW - 96 V AC. Insulation class H.

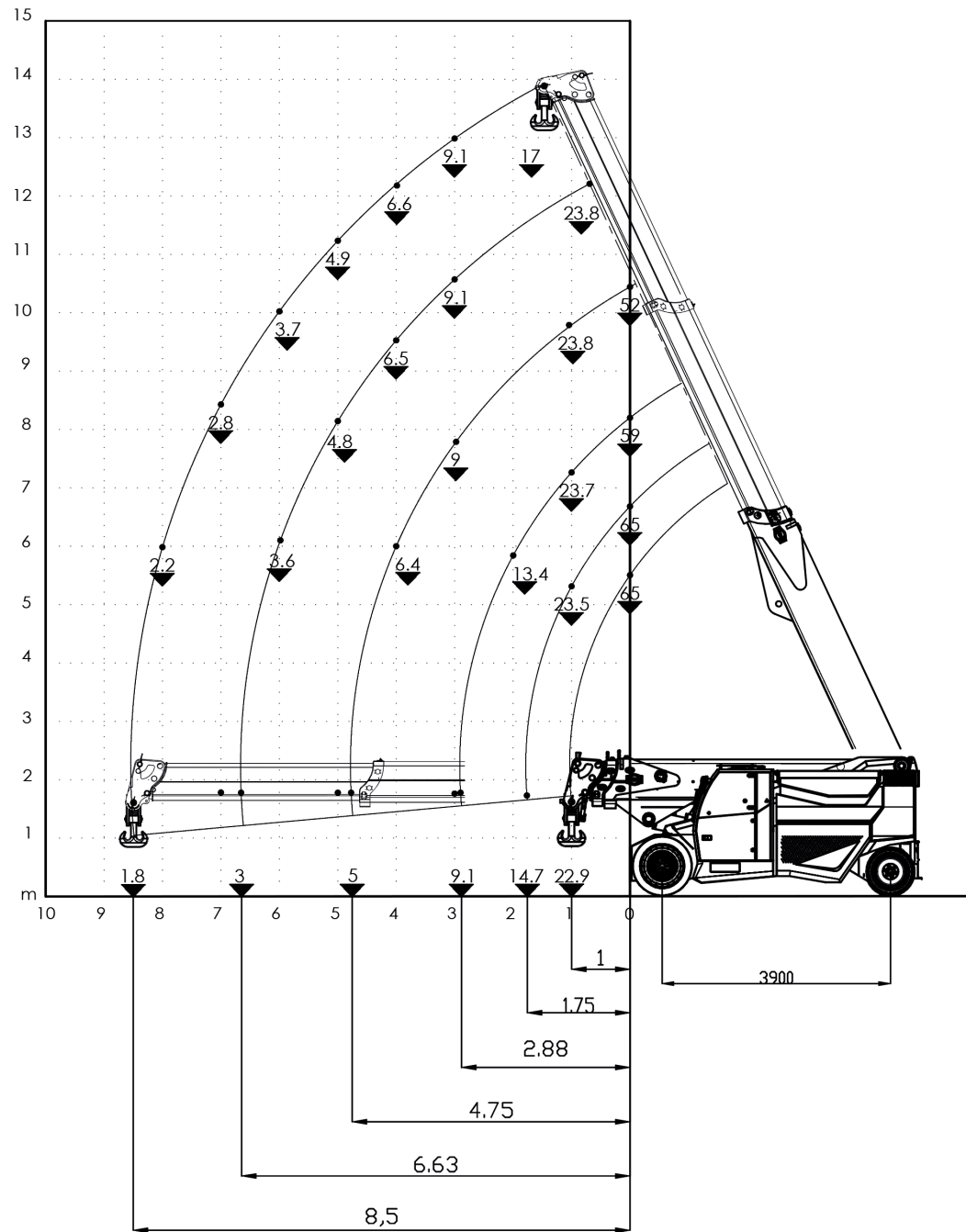


### Dimensions

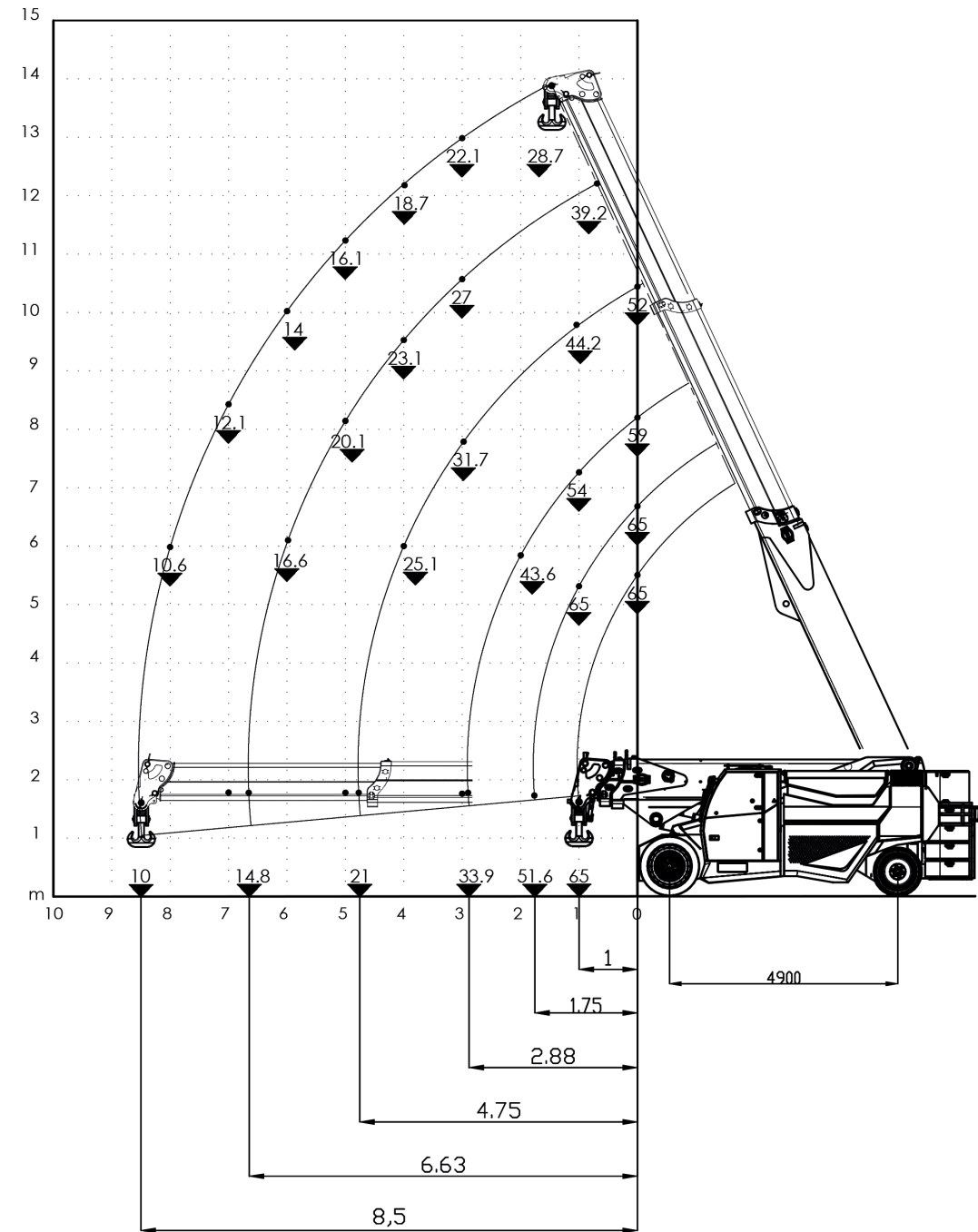


### EU Standards CE

	UNI ISO 4301-1: A1
	2006/42 CE-2014/30 UE-2014/35 UE- 2000/14 and subsequent modifications
	EN 13000:2014 ANSI/ASME B30.5-2011 and subsequent modifications



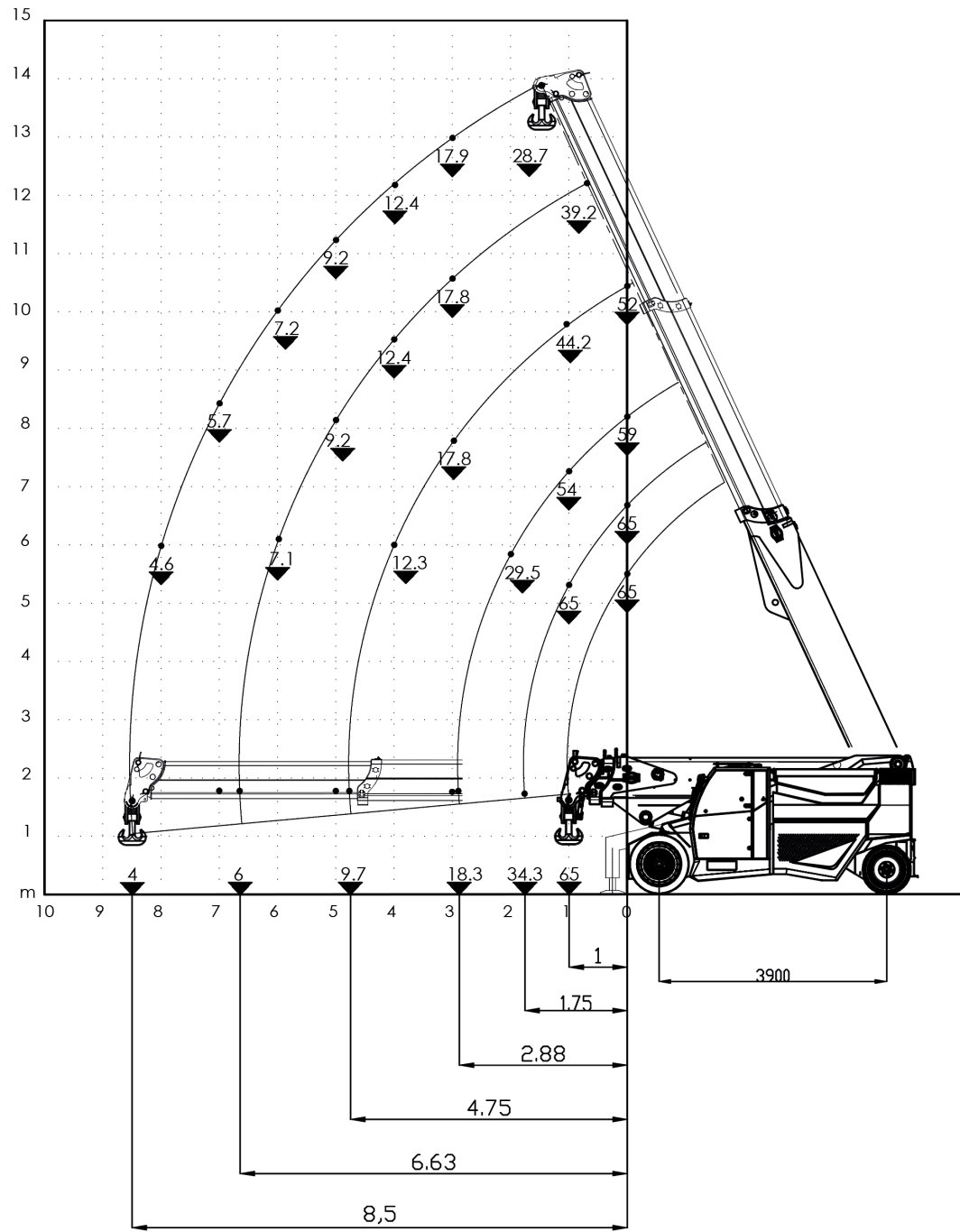
NZ/ NO FRONT OUTRIGGERS



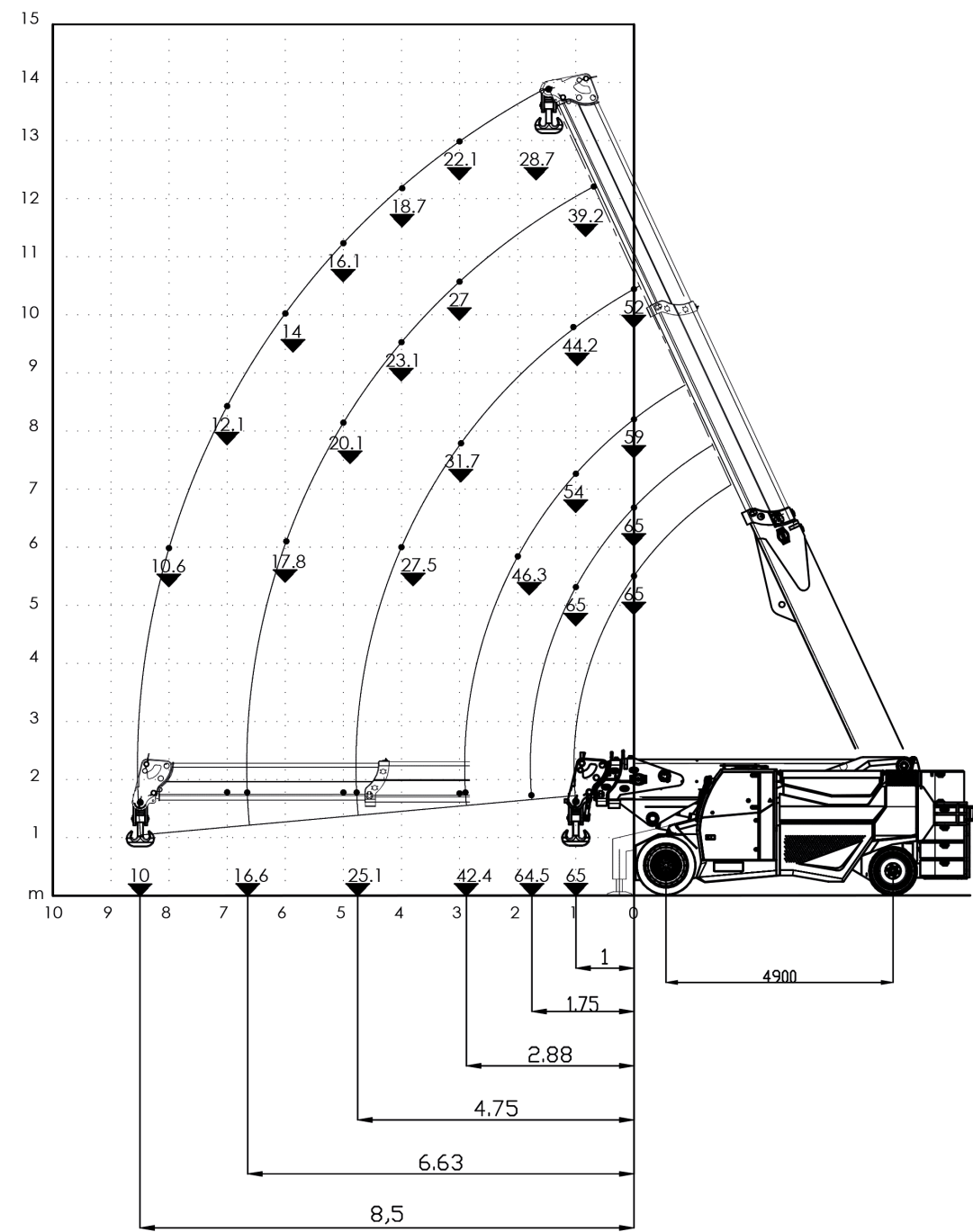
Z 17,5 T / NO FRONT OUTRIGGERS



# MC 650



NZ / OPEN FRONT OUTRIGGERS



Z 17,5 T / OPEN FRONT OUTRIGGERS