

Data subject to change without prior notice
Edition 10/2022 © 2022 JMG Cranes S.p.A. All rights reserved
Rev. 2 - 10/22

JMG Cranes S.p.A.

Sales & Service Office

Via Bergamo, 142

26100 Cremona - Italy

t +39 0372 1786738

Production Plant

Via Zuccherificio 2

29010 Sarmato (PC) - Italy

t +39 0523 8486

e info@jmgcranes.com



www.jmgcranes.com



Electric Pick & Carry Cranes



MC 80.06 (metric)

Max Capacity 12,000 kg

Max Capacity Hydraulic Forks
8,000 kg

JMG[®]
movetosolution

MC 80.06

TELESCOPIC BOOM

EXTENDIBLE REAR GROUP WITH REMOVABLE COUNTERWEIGHTS

8 TON HYDRAULIC FORKS

REMOVABLE COUNTERWEIGHTS

180° REAR STEERING



Options :

- HYDRAULIC WINCH
- HYDRAULIC JIB
- HYDRAULIC EXTENSION
- MANUAL JIB
- MANUAL EXTENSION
- NON-MARKING TIRES
- HYDRAULIC FORKS
- EXTRA COUNTER WEIGHTS KG 700
- ATEX CONVERSIONS
- CUSTOMIZED PAINTING

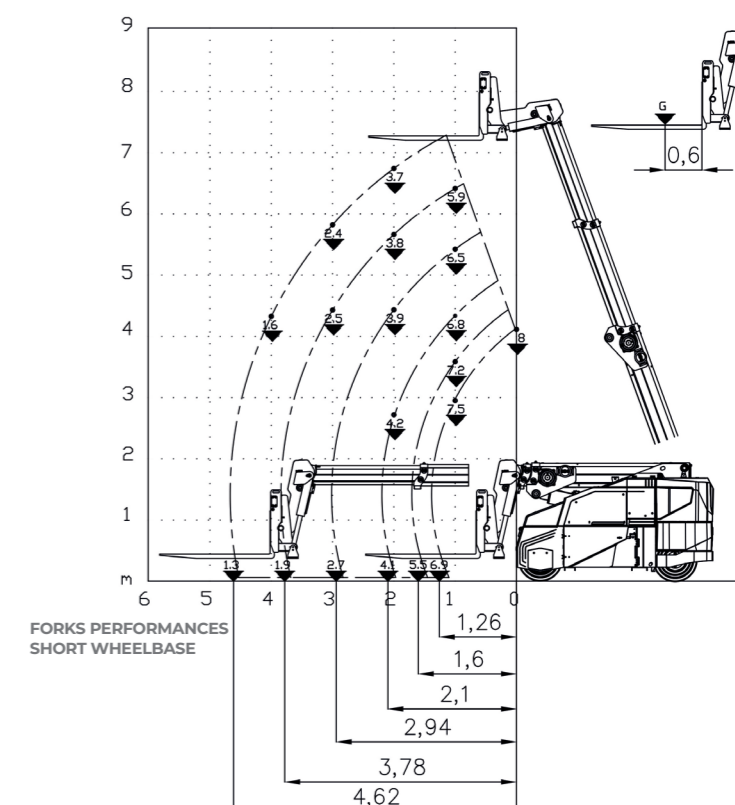
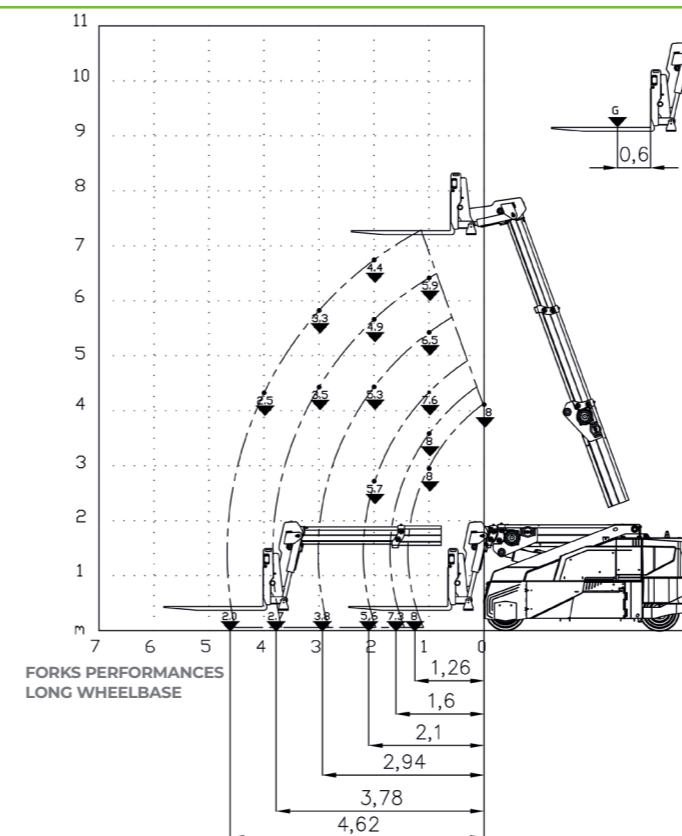
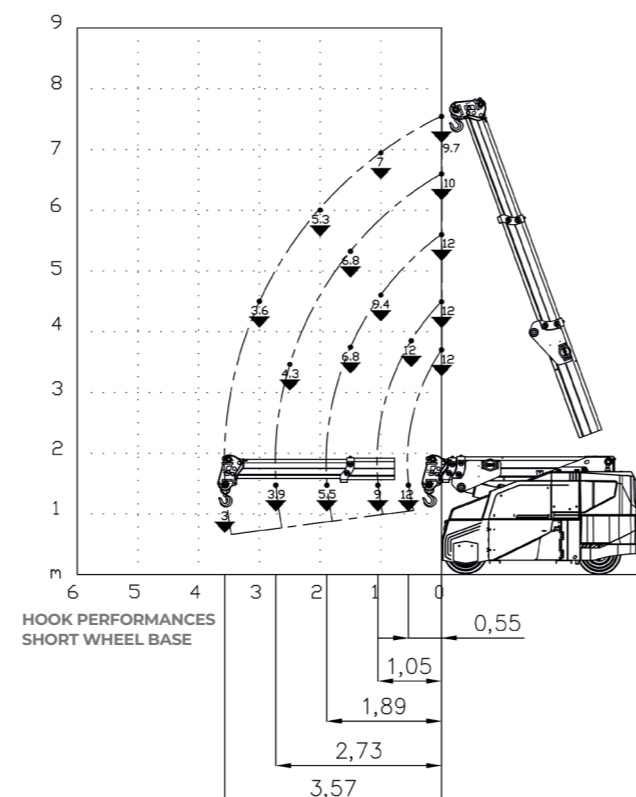
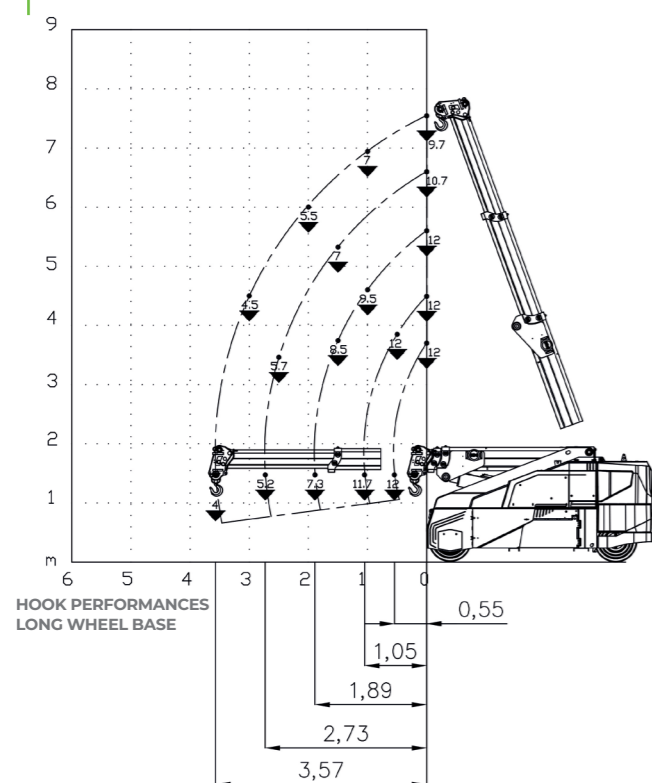


Technical features

Max Capacity kg	12,000
Dimensions mm	3200x1500x1945

<ul style="list-style-type: none"> · Front-wheels drive. · 2 electric motors AC 6,5 kW 80V · Insulation class H 	<ul style="list-style-type: none"> · LMI. Electronic safe load indicator and tilting moment limiter
<ul style="list-style-type: none"> · Total Kg. 13,000 · Removable counterweights Kg. 4,400 	<ul style="list-style-type: none"> · Automatic braking system on all wheels
<ul style="list-style-type: none"> · 80 V - 810 Ah · 8 working hours 	<ul style="list-style-type: none"> · Fabricated from preformed and welded quality steel plate
<ul style="list-style-type: none"> · Front nr. 4 superelastic 250-15" · Rear nr. 2 superelastic 250-15" 	<ul style="list-style-type: none"> · +70°/-7°
<ul style="list-style-type: none"> · Rear Steering angle -90°/+90° 	<ul style="list-style-type: none"> · Motor driven pump 20 kW - 80 V · Insulation class H

Load charts



EU Standards CE

UNI ISO 4301-1: A1
2006/42 CE-2014/30 UE-2014/35 UE- 2000/14 e and subsequent modifications
EN 13000:2014 ANSI/ASME B30.5-2011 and subsequent modifications



Dimensions

