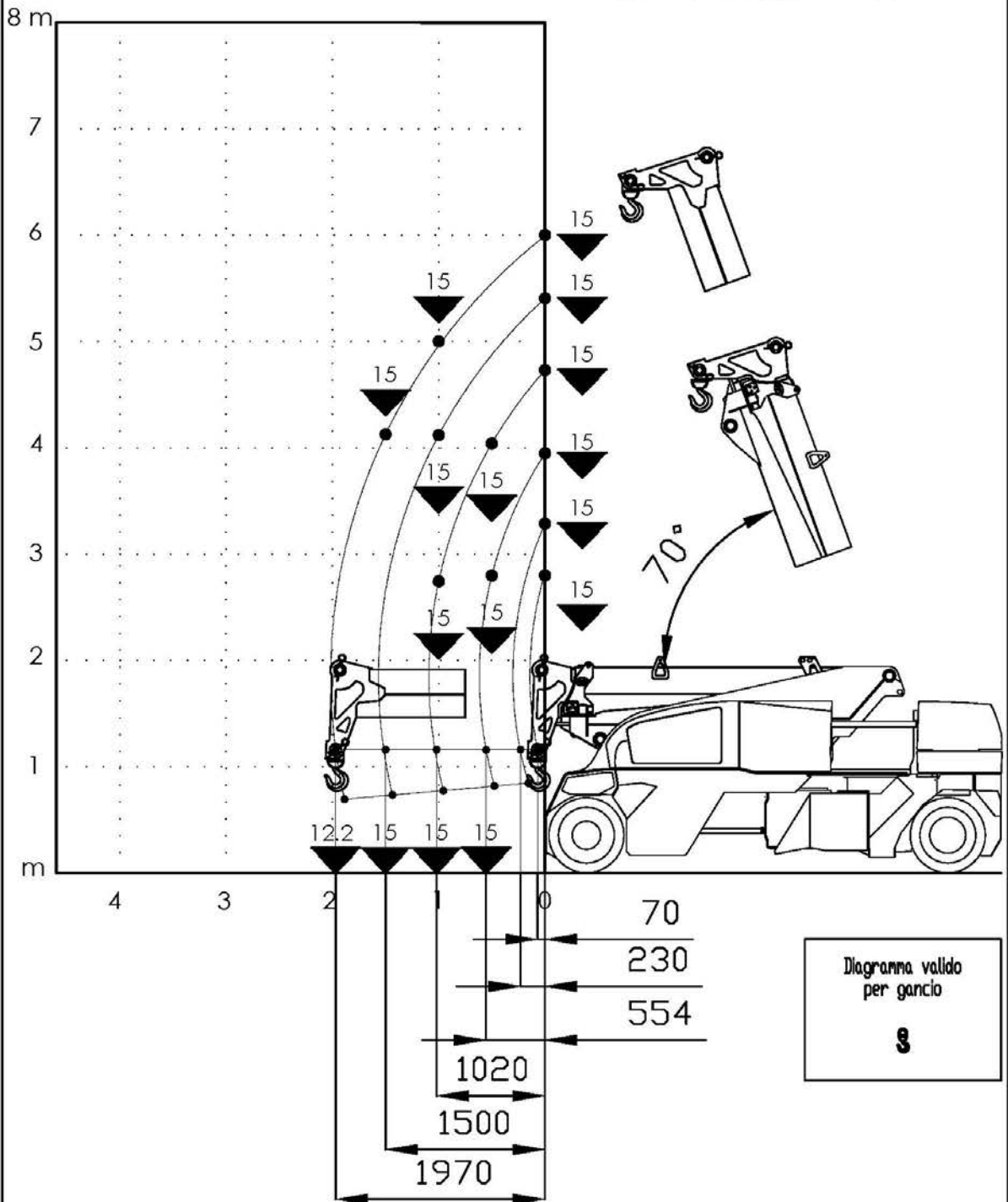


DIAGRAMMA DELLE PORTATE (t)  
 CAPACITY DIAGRAM (t)  
 TRAGLASTDIAGRAMM (t)  
 LASTENDIAGRAM (t)  
 TABLEAU DES CHARGES (t)  
 DIAGRAMA DE LAS CARGAS (t)

# JMG

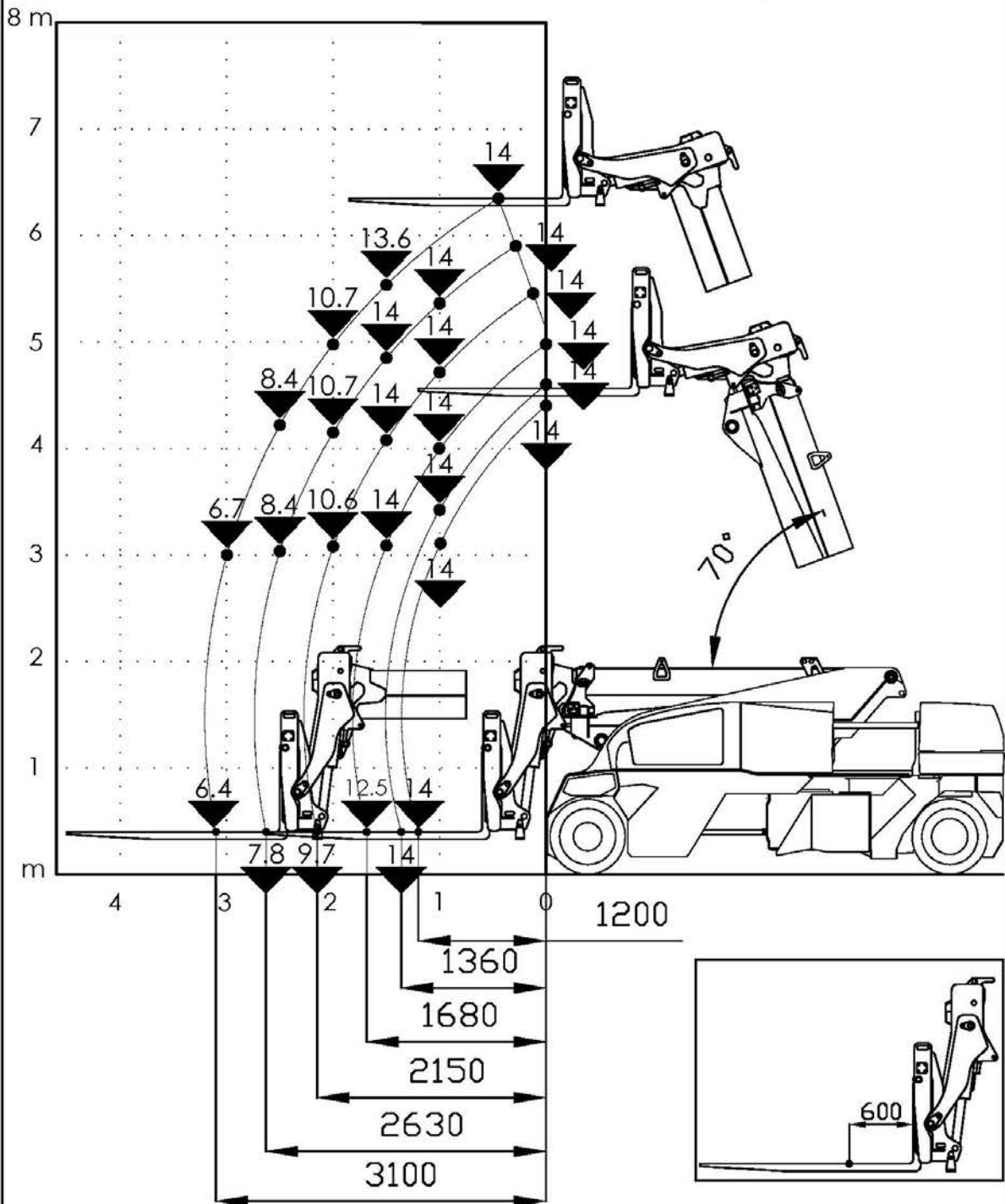


MC100.08

Braccio singolo filo - Sfilo 800 - Z1+Z2  
 Cod.:090-DIA-10236    Scala 1:50

DIAGRAMMA DELLE PORTATE (t)  
 CAPACITY DIAGRAM (t)  
 TRAGLASTDIAGRAMM (t)  
 LASTENDIAGRAM (t)  
 TABLEAU DES CHARGES (t)  
 DIAGRAMA DE LAS CARGAS (t)

# JMG



MC100.08

Braccio singolo filo - Sfilo 800 - Z1+Z2  
 Cod.:090-DIA-10246    Scala 1:50

DIAGRAMMA DELLE PORTATE (t)  
 CAPACITY DIAGRAM (t)  
 TRAGLASTDIAGRAMM (t)  
 LASTENDIAGRAM (t)  
 TABLEAU DES CHARGES (t)  
 DIAGRAMA DE LAS CARGAS (t)

# JMG

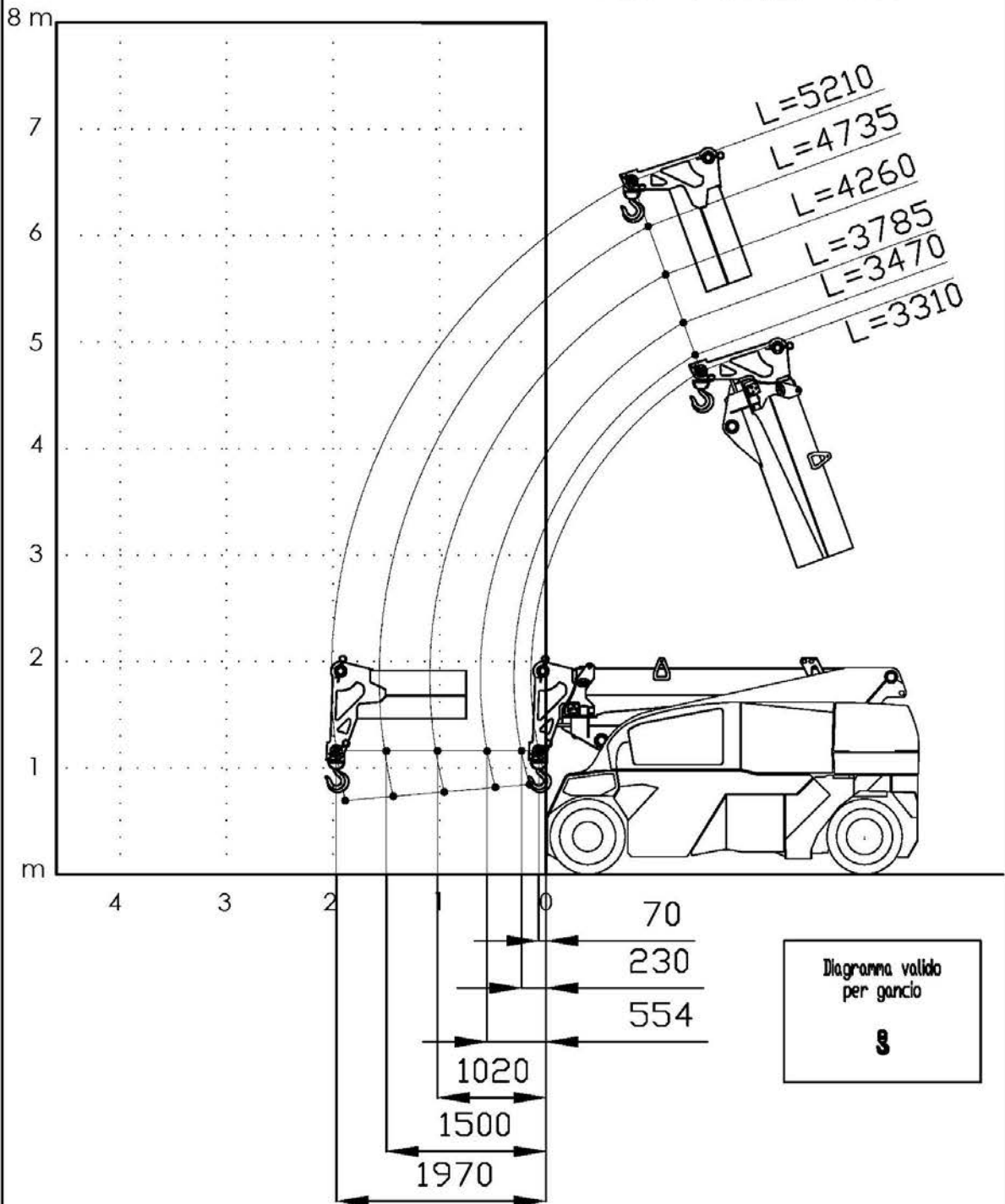


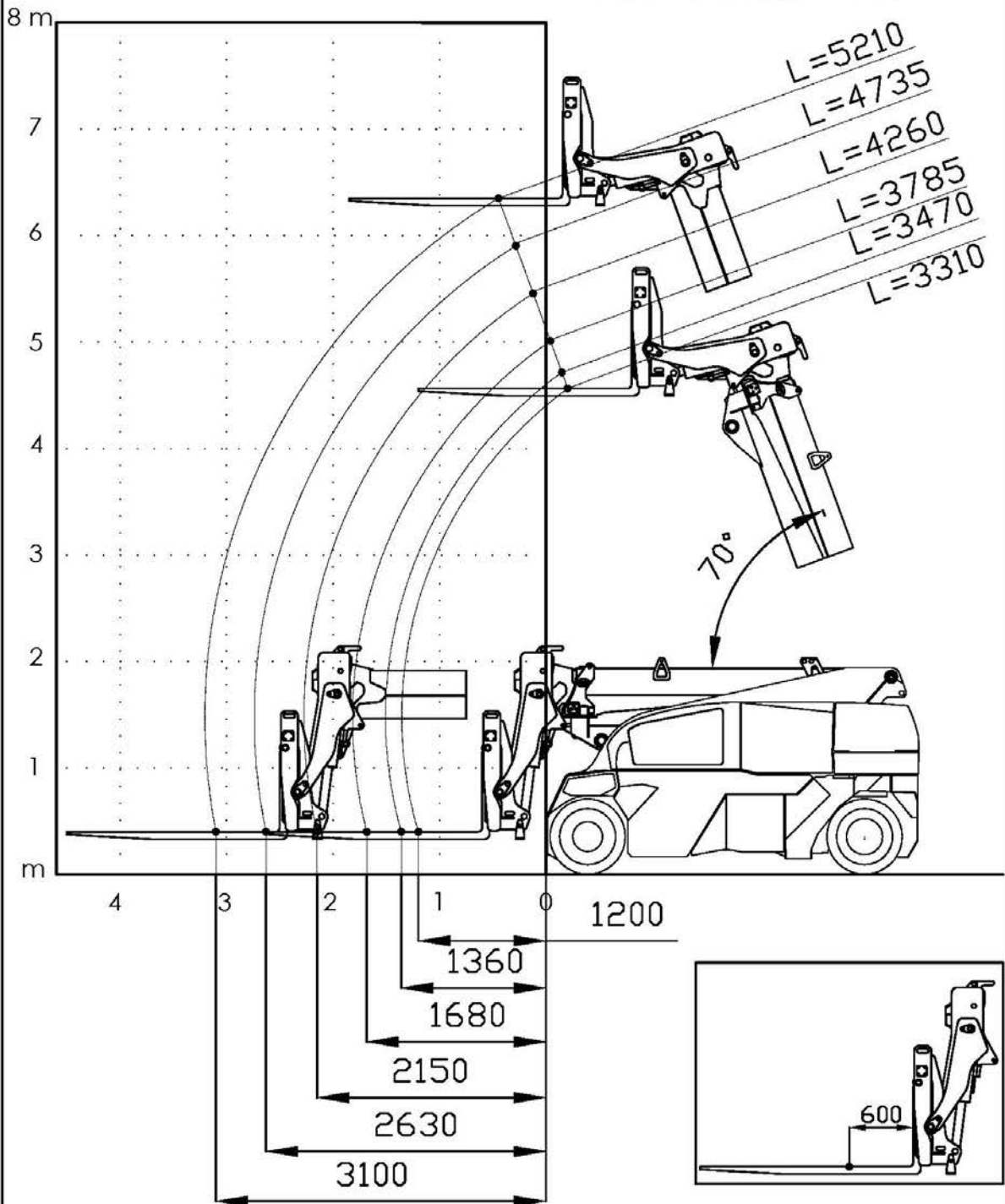
Diagramma valido  
 per gancio  
**3**

MC100.08

Braccio singolo sfilo  
 Cod.:090-TAR-10235    Scala 1:50

DIAGRAMMA DELLE PORTATE (t)  
 CAPACITY DIAGRAM (t)  
 TRAGLASTDIAGRAMM (t)  
 LASTENDIAGRAM (t)  
 TABLEAU DES CHARGES (t)  
 DIAGRAMA DE LAS CARGAS (t)

# JMG



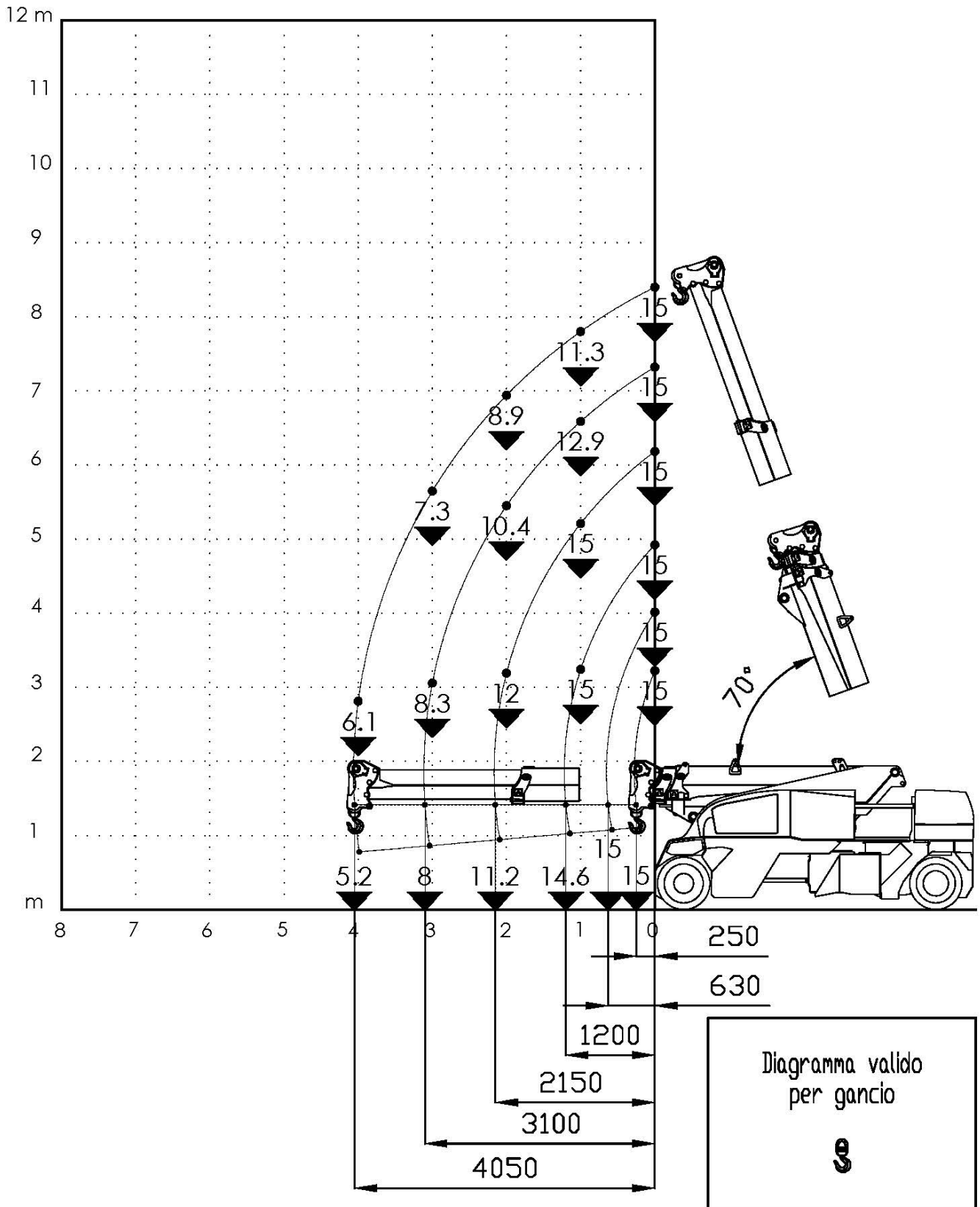
MC100.08

Braccio singolo filo  
 Cod.:090-TAR-10245

Scala 1:50

DIAGRAMMA DELLE PORTATE (t)  
 CAPACITY DIAGRAM (t)  
 TRAGLASTDIAGRAMM (t)  
 LASTENDIAGRAM (t)  
 TABLEAU DES CHARGES (t)  
 DIAGRAMA DE LAS CARGAS (t)

# JMG

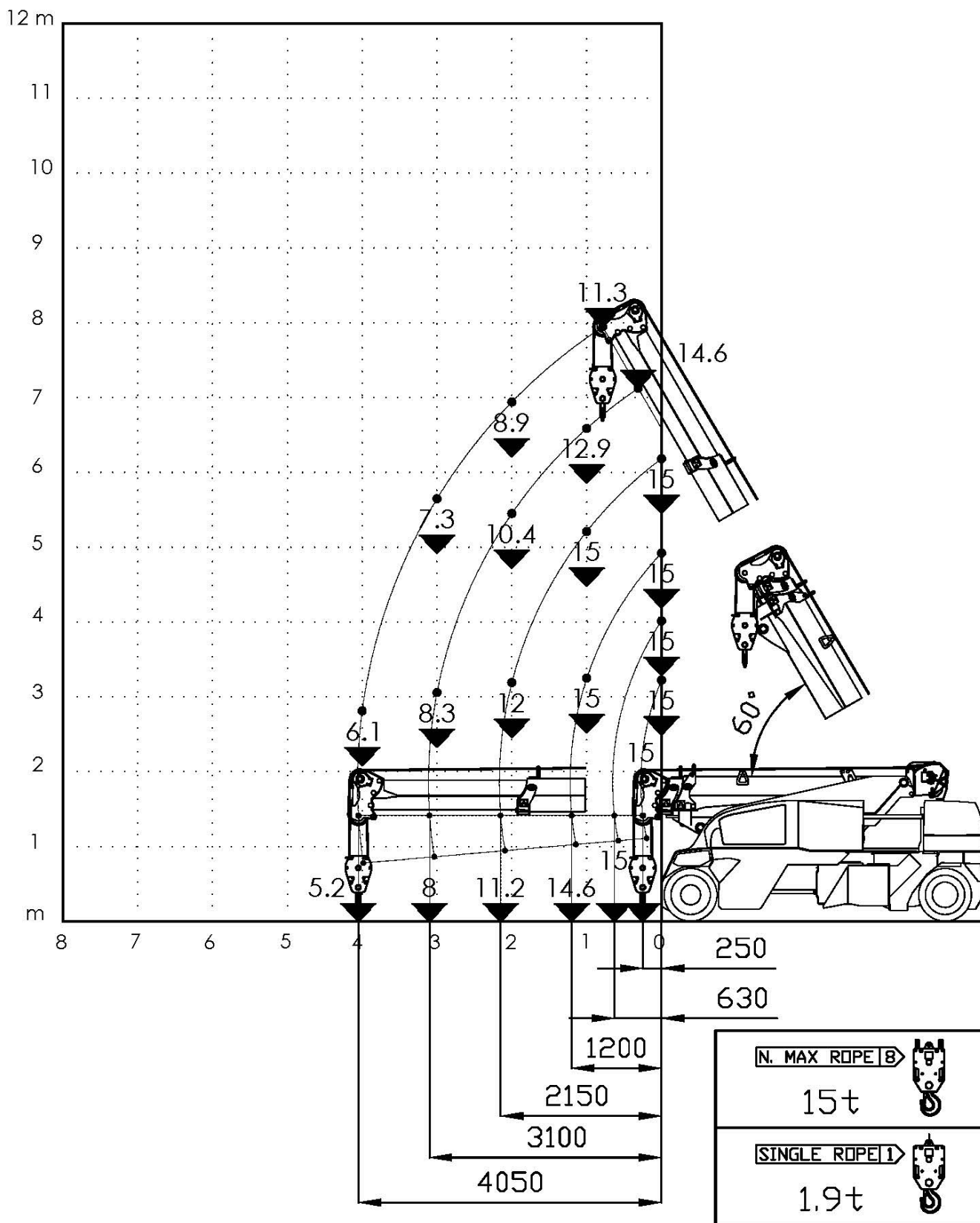


MC100.08

Braccio corto - Sfilo 800 - Z1+Z2  
 Cod.: 090-DIA-10039    Scala 1:75

DIAGRAMMA DELLE PORTATE (t)  
 CAPACITY DIAGRAM (t)  
 TRAGLASTDIAGRAMM (t)  
 LASTENDIAGRAM (t)  
 TABLEAU DES CHARGES (t)  
 DIAGRAMA DE LAS CARGAS (t)

# JMG

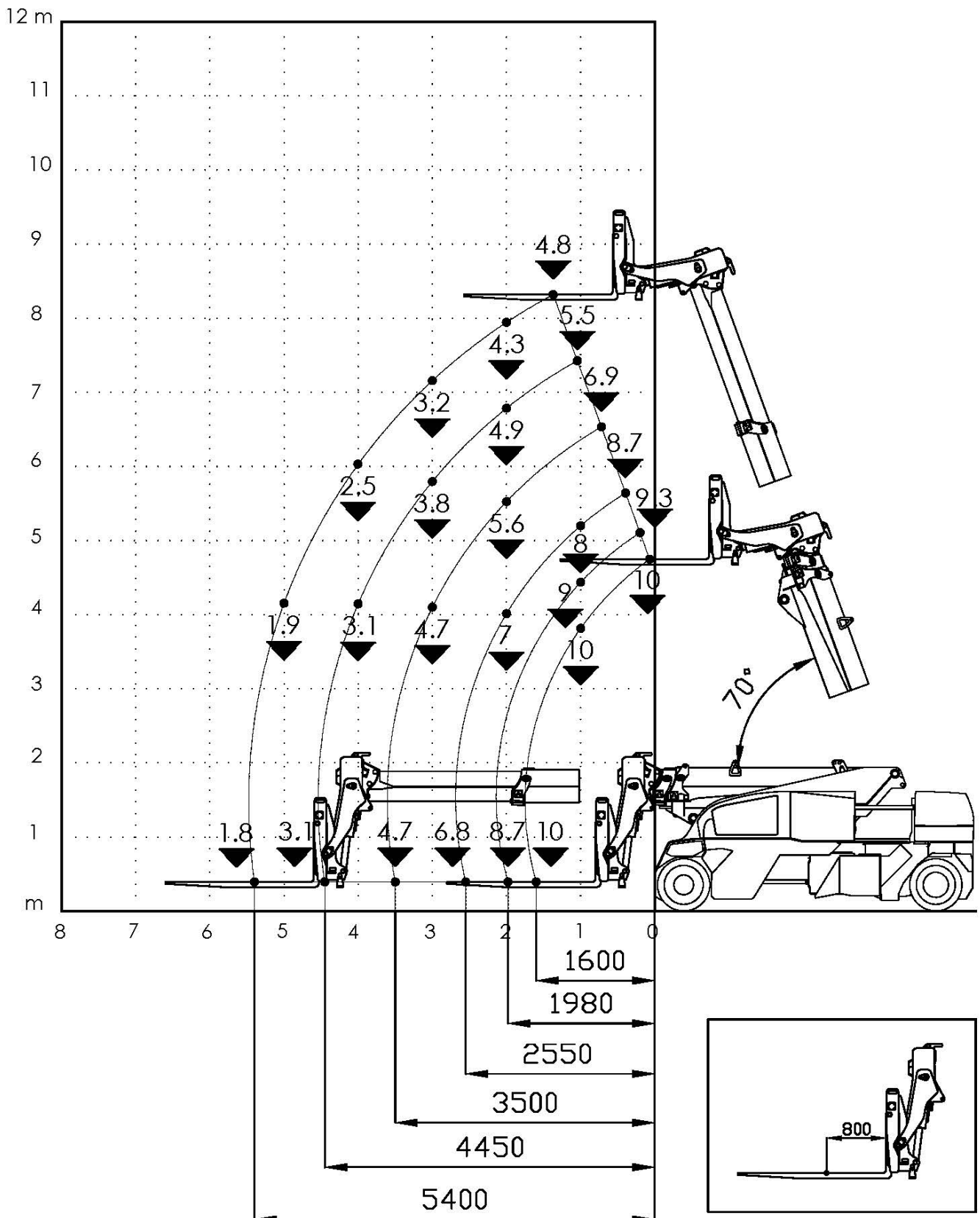


MC100.08

Braccio corto - Sfilo 800 - Z1+Z2  
 Cod.: 090-DIA-10049      Scala 1:75

DIAGRAMMA DELLE PORTATE (t)  
 CAPACITY DIAGRAM (t)  
 TRAGLASTDIAGRAMM (t)  
 LASTENDIAGRAM (t)  
 TABLEAU DES CHARGES (t)  
 DIAGRAMA DE LAS CARGAS (t)

# JMG



MC100.08

Braccio corto - Sfilo 800 - Z1+Z2  
 Cod.: 090-DIA-10129    Scala 1:75

DIAGRAMMA DELLE PORTATE (t)  
 CAPACITY DIAGRAM (t)  
 TRAGLASTDIAGRAMM (t)  
 LASTENDIAGRAM (t)  
 TABLEAU DES CHARGES (t)  
 DIAGRAMA DE LAS CARGAS (t)

# JMG

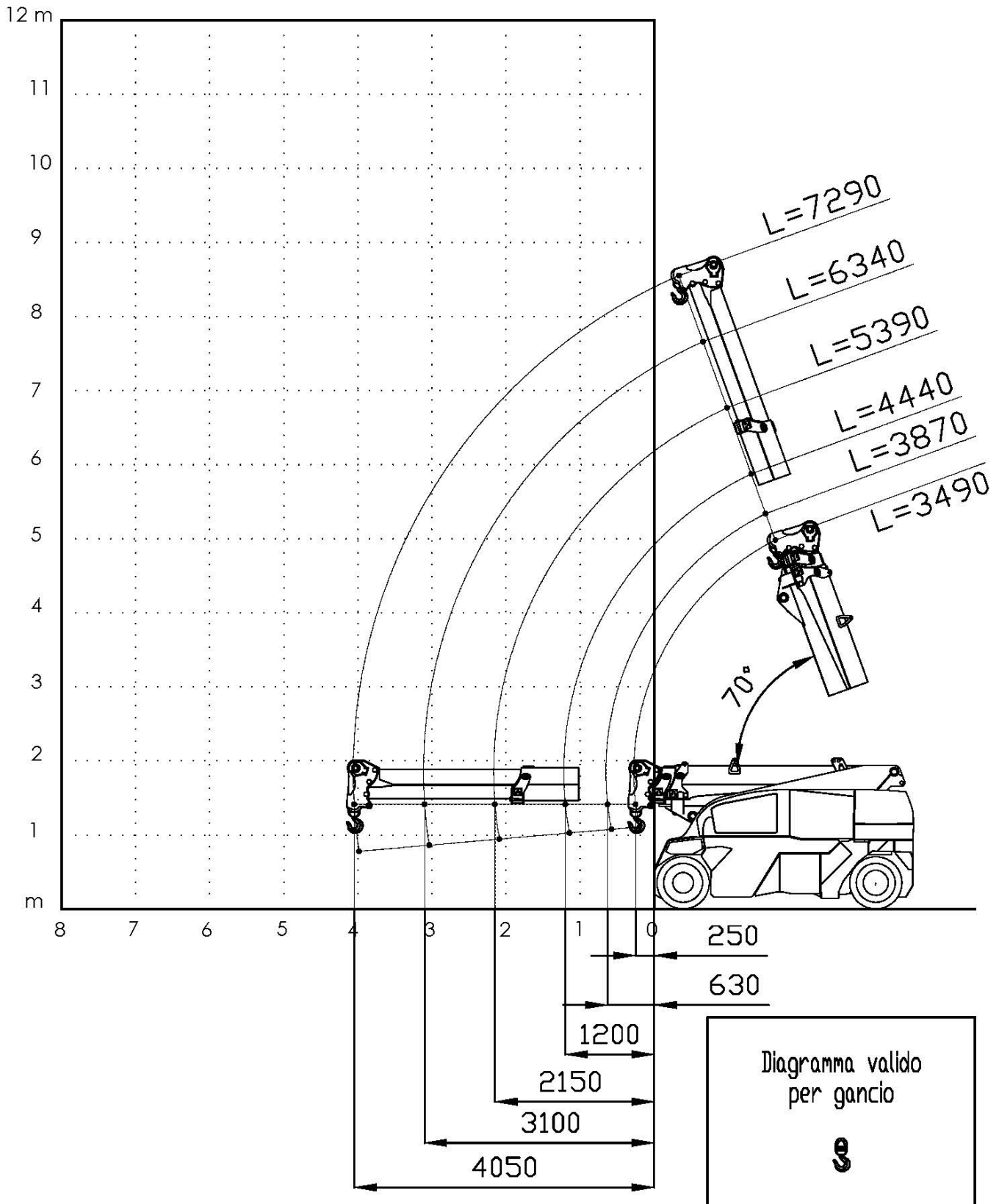


Diagramma valido  
 per gancio  
 S

MC100.08

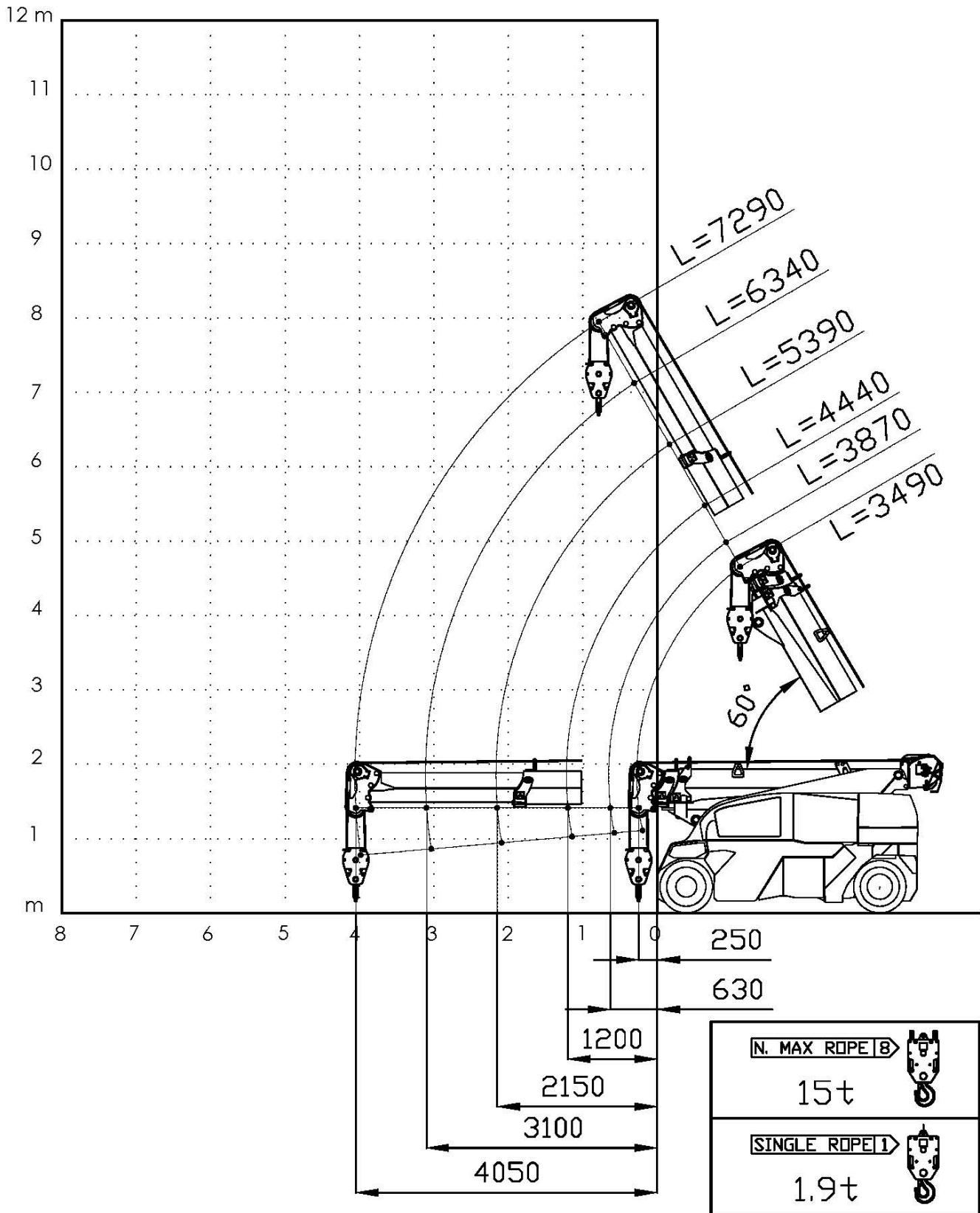
Braccio corto  
 Cod.:090-TAR-10038

Scala 1:75



DIAGRAMMA DELLE PORTATE (t)  
 CAPACITY DIAGRAM (t)  
 TRAGLASTDIAGRAMM (t)  
 LASTENDIAGRAM (t)  
 TABLEAU DES CHARGES (t)  
 DIAGRAMA DE LAS CARGAS (t)

# JMG



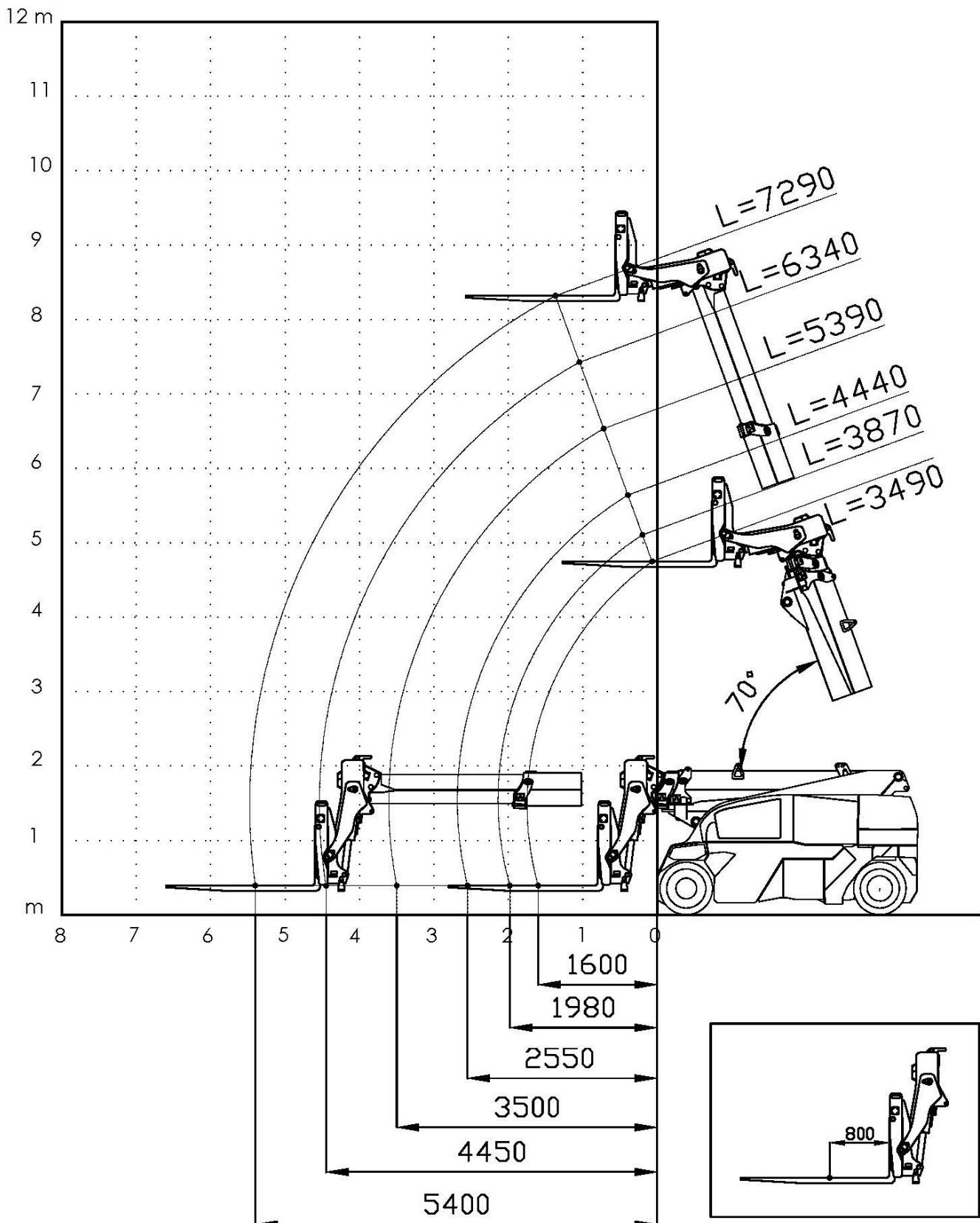
MC100.08

Braccio corto  
 Cod.:090-TAR-10048

Scala 1:75

DIAGRAMMA DELLE PORTATE (t)  
 CAPACITY DIAGRAM (t)  
 TRAGLASTDIAGRAMM (t)  
 LASTENDIAGRAM (t)  
 TABLEAU DES CHARGES (t)  
 DIAGRAMA DE LAS CARGAS (t)

# JMG



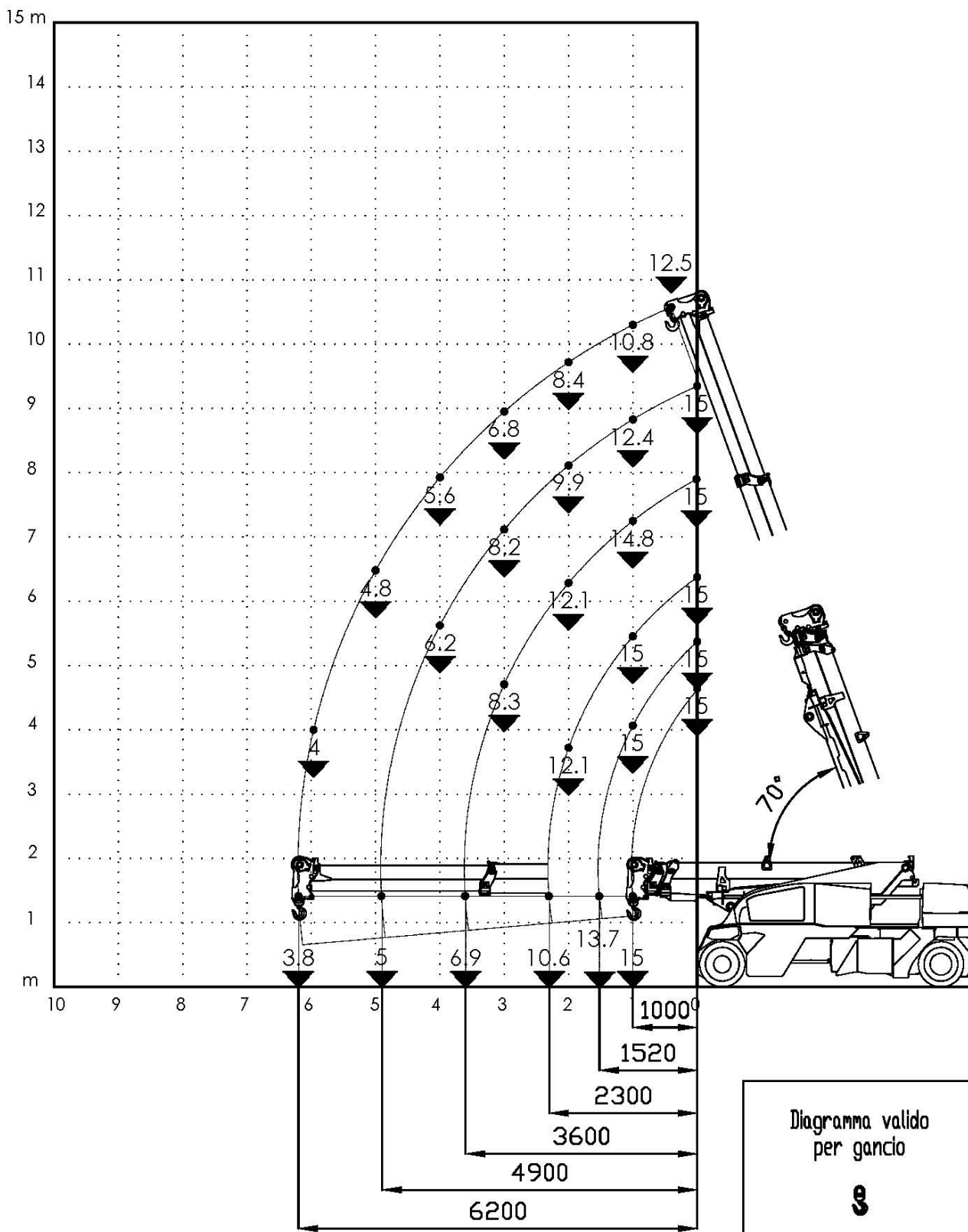
MC100.08

Braccio corto  
 Cod.:090-TAR-10128

Scala 1:75

DIAGRAMMA DELLE PORTATE (t)  
 CAPACITY DIAGRAM (t)  
 TRAGLASTDIAGRAMM (t)  
 LASTENDIAGRAM (t)  
 TABLEAU DES CHARGES (t)  
 DIAGRAMA DE LAS CARGAS (t)

# JMG

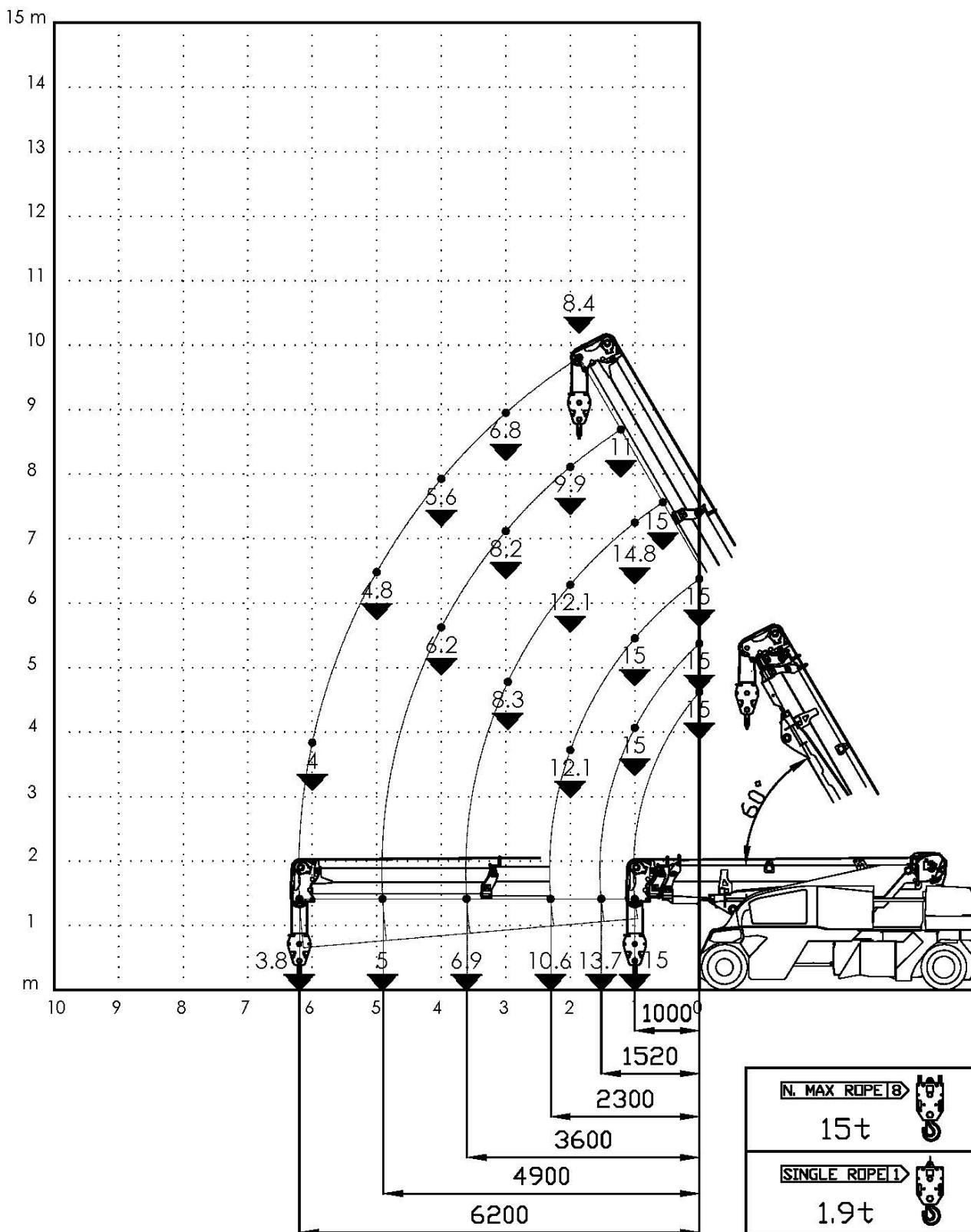


MC100.08

Braccio lungo - Silo 800 - Z1+Z2  
 Cod.: 090-DIA-10139      Scala 1:90

DIAGRAMMA DELLE PORTATE (t)  
 CAPACITY DIAGRAM (t)  
 TRAGLASTDIAGRAMM (t)  
 LASTENDIAGRAM (t)  
 TABLEAU DES CHARGES (t)  
 DIAGRAMA DE LAS CARGAS (t)

# JMG



MC100.08

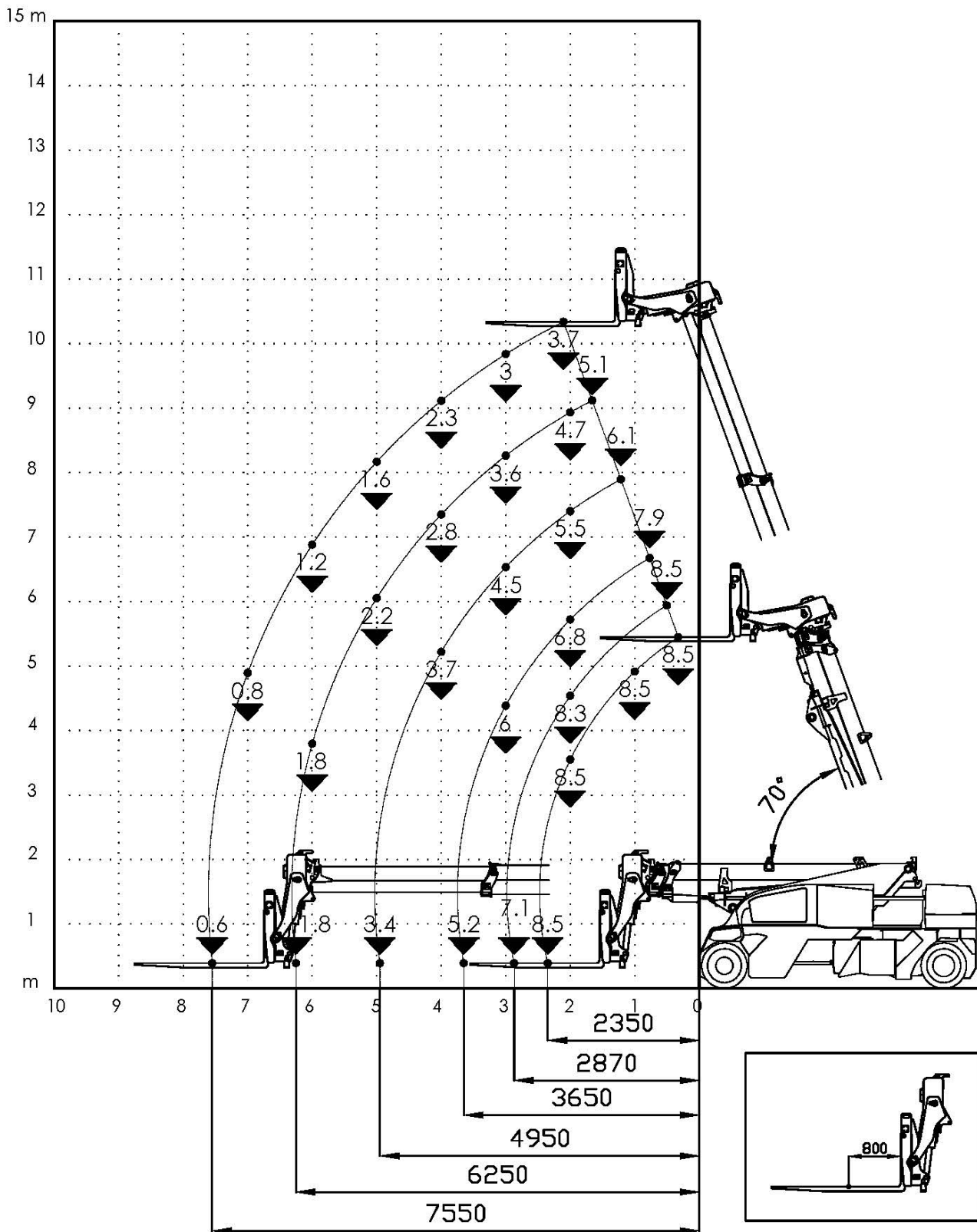
Braccio lungo - Sfilo 800 - Z1+Z2

Cod.: 090-DIA-10149

Scala 1:90

DIAGRAMMA DELLE PORTATE (t)  
 CAPACITY DIAGRAM (t)  
 TRAGLASTDIAGRAMM (t)  
 LASTENDIAGRAMM (t)  
 TABLEAU DES CHARGES (t)  
 DIAGRAMA DE LAS CARGAS (t)

# JMG

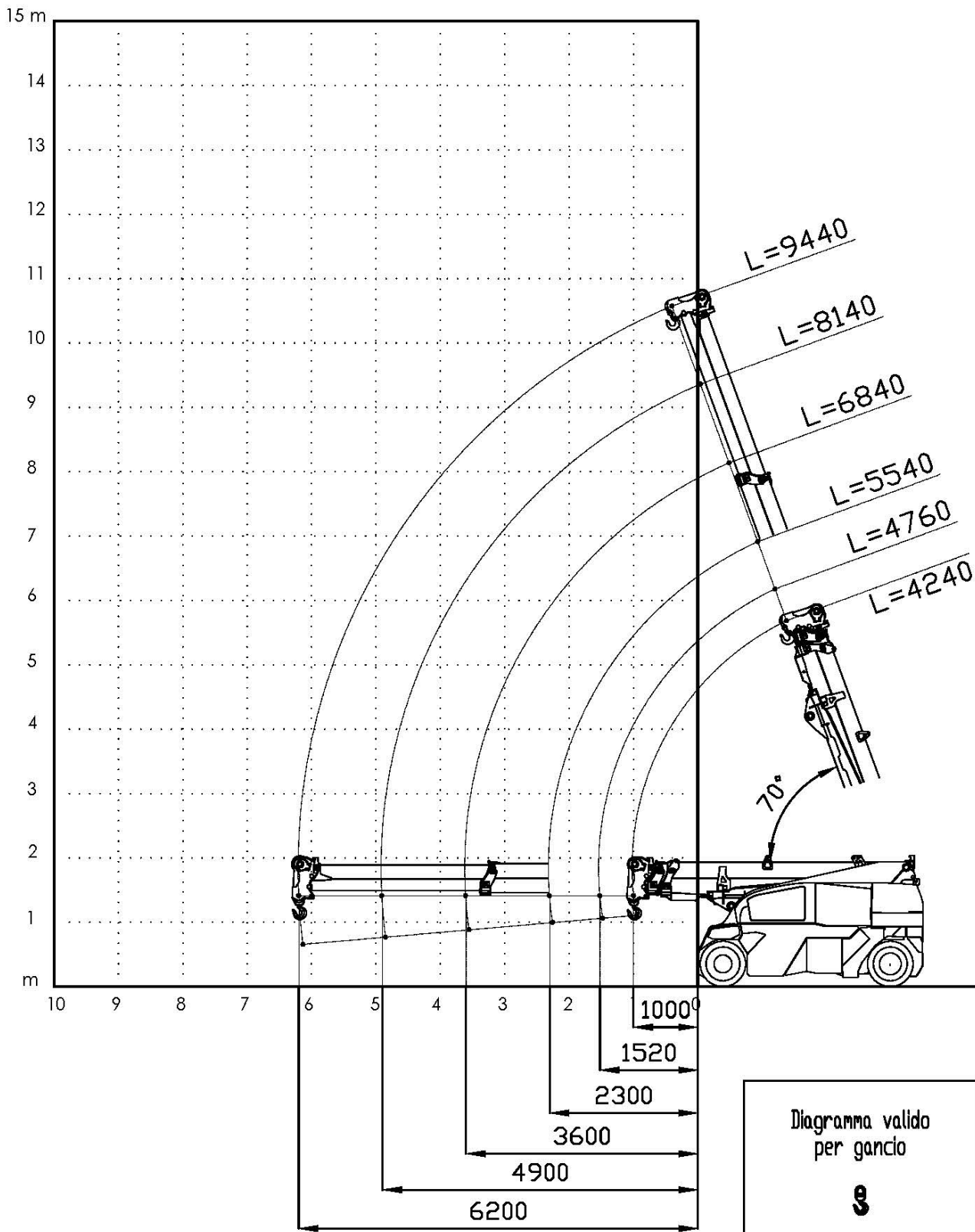


MC100.08

Braccio lungo - Sfilo 800 - Z1+Z2  
 Cod.: 090-DIA-10229    Scala 1:90

DIAGRAMMA DELLE PORTATE (t)  
 CAPACITY DIAGRAM (t)  
 TRAGLASTDIAGRAMM (t)  
 LASTENDIAGRAM (t)  
 TABLEAU DES CHARGES (t)  
 DIAGRAMA DE LAS CARGAS (t)

# JMG



MC100.08

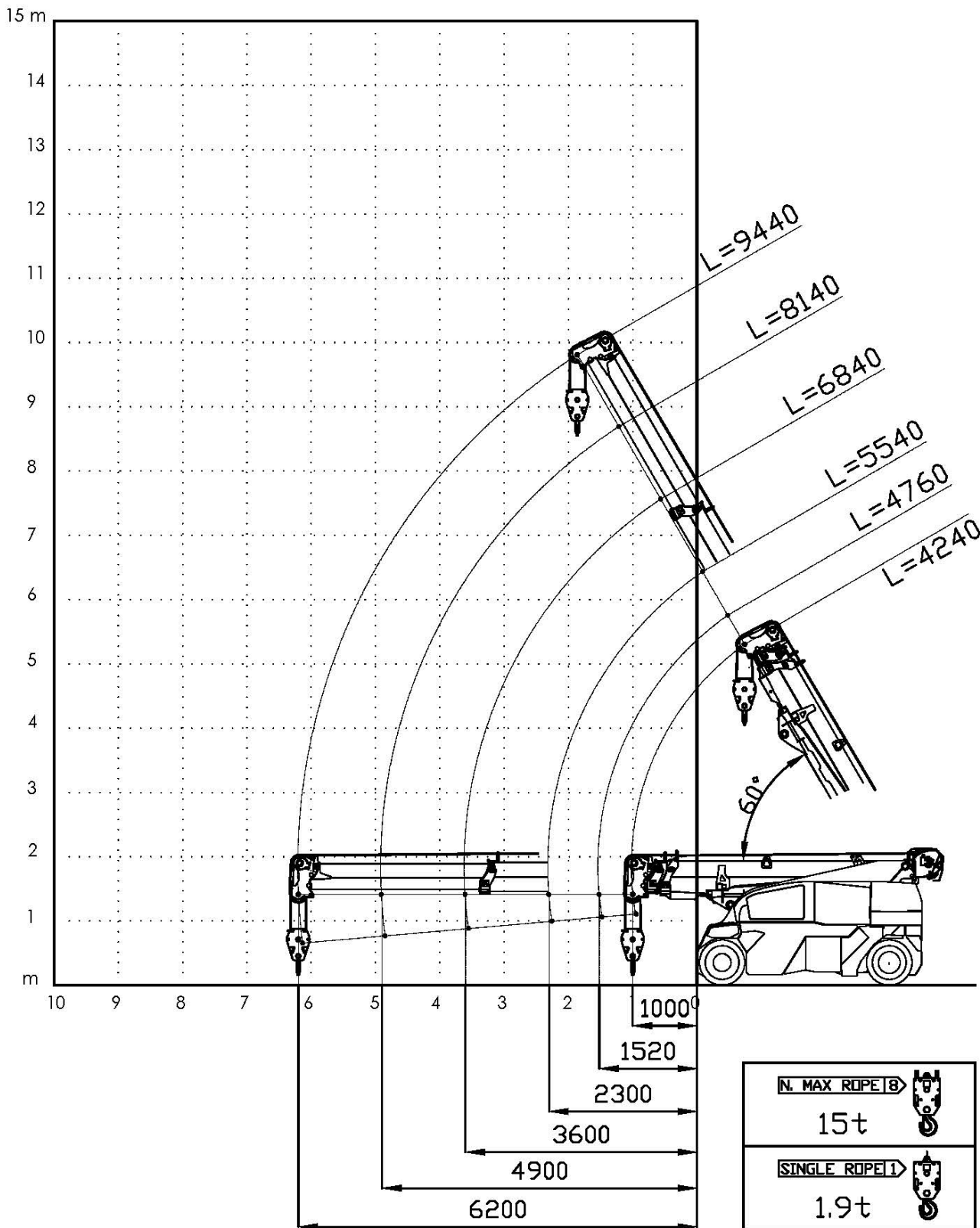
Braccio lungo

Cod.:090-TAR-10138

Scala 1:90

DIAGRAMMA DELLE PORTATE (t)  
 CAPACITY DIAGRAM (t)  
 TRAGLASTDIAGRAMM (t)  
 LASTENDIAGRAMM (t)  
 TABLEAU DES CHARGES (t)  
 DIAGRAMA DE LAS CARGAS (t)

# JMG



MC100.08

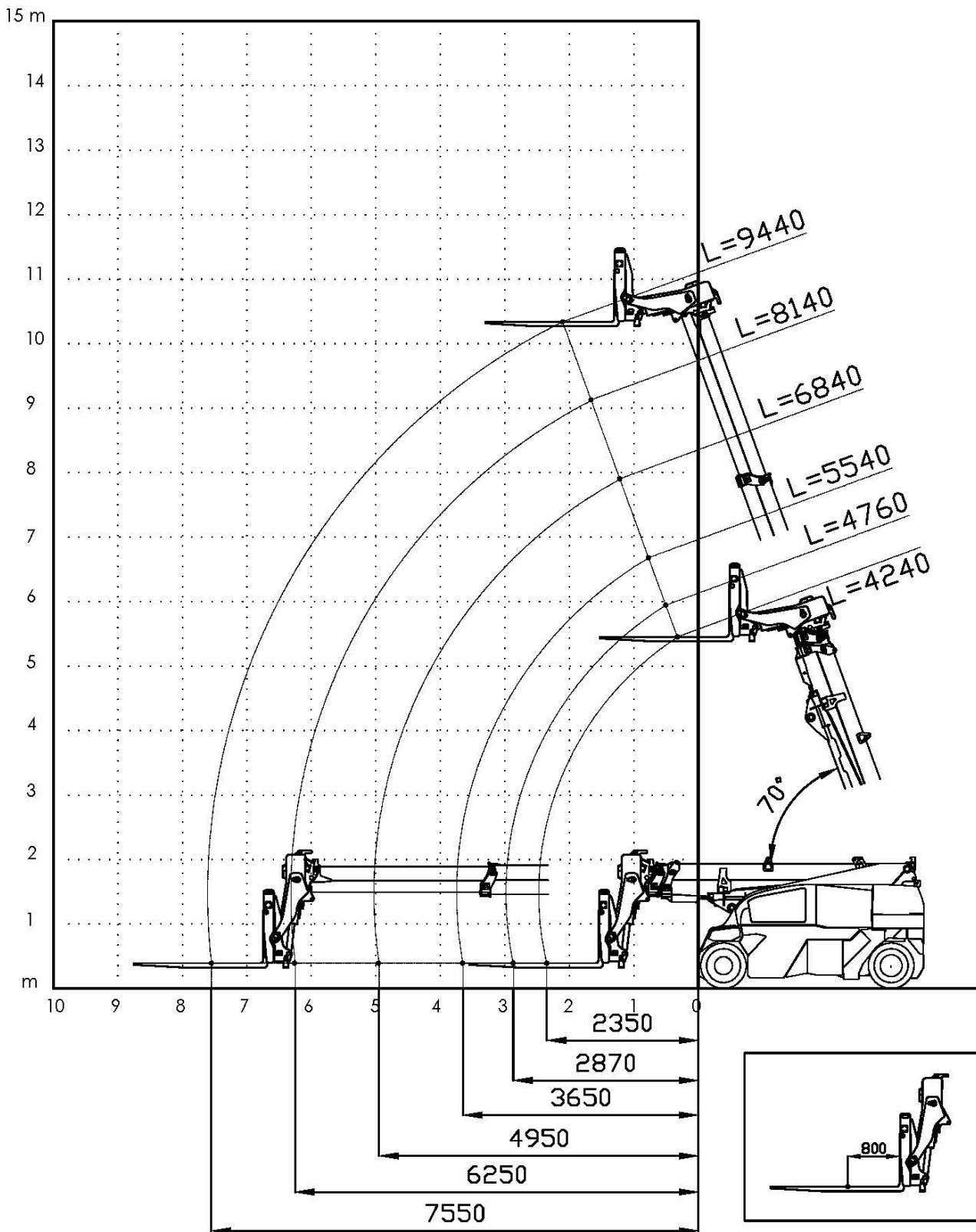
Braccio lungo

Cod.: 090-TAR-10148

Scala 1:90

DIAGRAMMA DELLE PORTATE (t)  
 CAPACITY DIAGRAM (t)  
 TRAGLASTDIAGRAMM (t)  
 LASTENDIAGRAM (t)  
 TABLEAU DES CHARGES (t)  
 DIAGRAMA DE LAS CARGAS (t)

# JMG



MC100.08

Braccio lungo

Cod.: 090-TAR-10228

Scala 1:90